

PFC

BRAKES



CALIPER SPEC SHEETS

CALIPER TECHNOLOGY

The System...

The caliper, disc and pads work as a system: dynamically effecting bite, torque and release. Performance Friction's improvements in pad and disc technology, combined with improvements in caliper design, results in exceptional performance and reliability.

Short Aspect Ratio 4-Piston Design for a stiffer caliper body, which reduces drag and temperature as well as improving release and control over 6-piston designs.

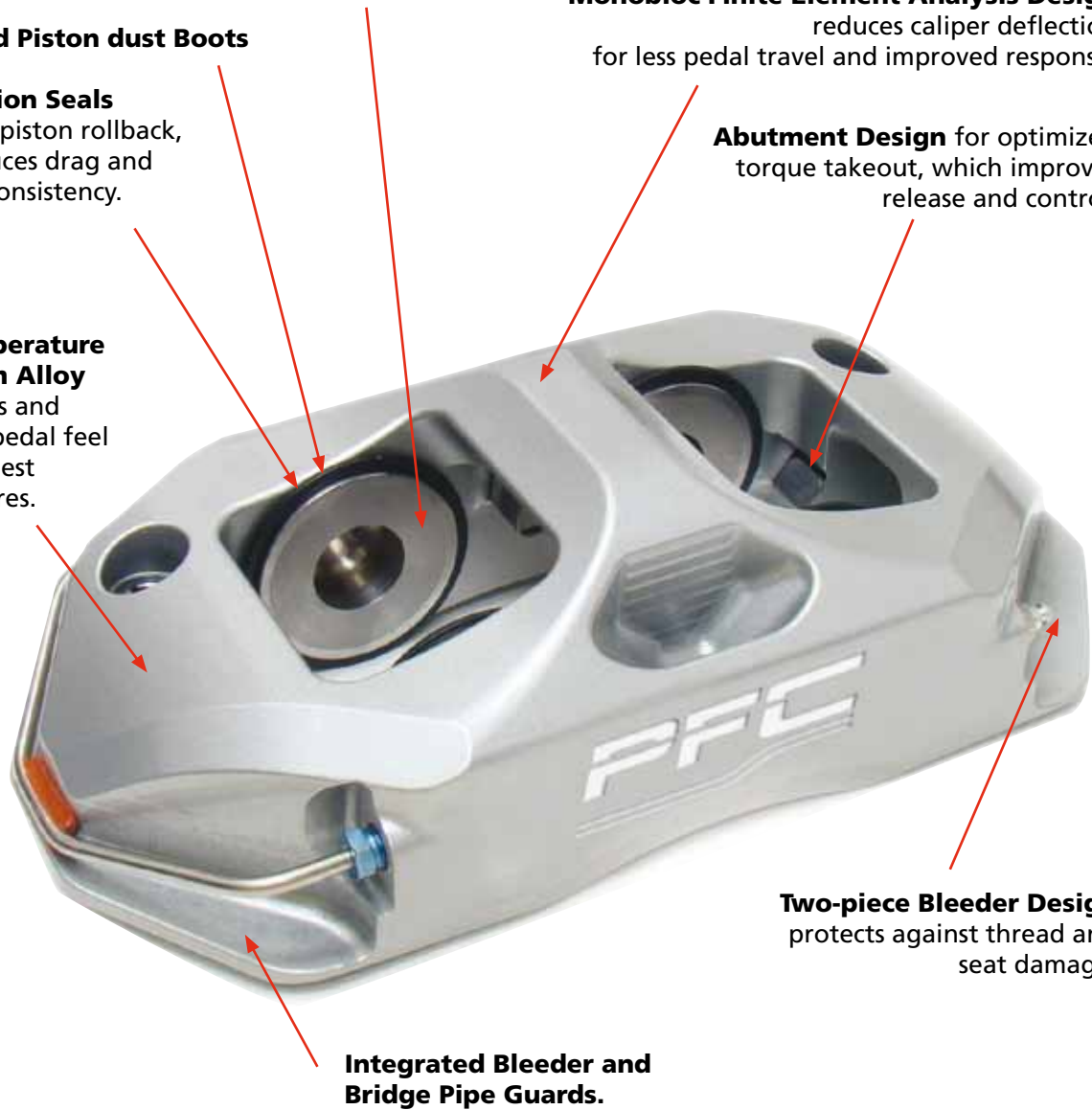
Integrated Piston dust Boots

High Tension Seals for proper piston rollback, which reduces drag and improves consistency.

High Temperature Aluminum Alloy for stiffness and improved pedal feel at the highest temperatures.

Monobloc Finite Element Analysis Design reduces caliper deflection for less pedal travel and improved response.

Abutment Design for optimized torque takeout, which improves release and control.



Two-piece Bleeder Design protects against thread and seat damage.

Integrated Bleeder and Bridge Pipe Guards.

CALIPER SPECIFICATIONS

ZR18

ZR18 Series Caliper Monobloc - 4 Piston - 2 Pad

Common Application: Short Track Front

Application	Short Track Front
Mount Dim. (mm)	180 x 42
Piston sizes (mm)	36.5/41.0
Piston area per side (mm ²)	2366.6
Max disc dia (mm)	323
Max disc thickness (mm)	35
Min disc thickness (mm)	32
Max pad thickness (mm)	30
Fluid capacity (cm ³)	113.6
Max operating pressure	103bar / 1500psi
Pad Shape	7821
Pad area per side(cm ²)	72.14
Caliper weight	3.27kg / 7.2lbs

Handing	Caliper Part #
Leading Left	18.323.365.410.01
Leading Right	18.323.365.410.02
Trailing Left	18.323.365.410.11
Trailing Right	18.323.365.410.12

18.323.365.410.XX

Rotor OD (mm)	Pad Shape	Eff. Radius (mm)	'H' Dim (mm)	'PL' Dim (mm)
323.0	7821	132.5	105.0	56.5

Pad Shape

See Pad comparison chart for thickness options and compound availability

Stud Diameter
Min locating ⌀: 11.975 mm
Max ⌀: 12.025 mm

CALIPER SPECIFICATIONS

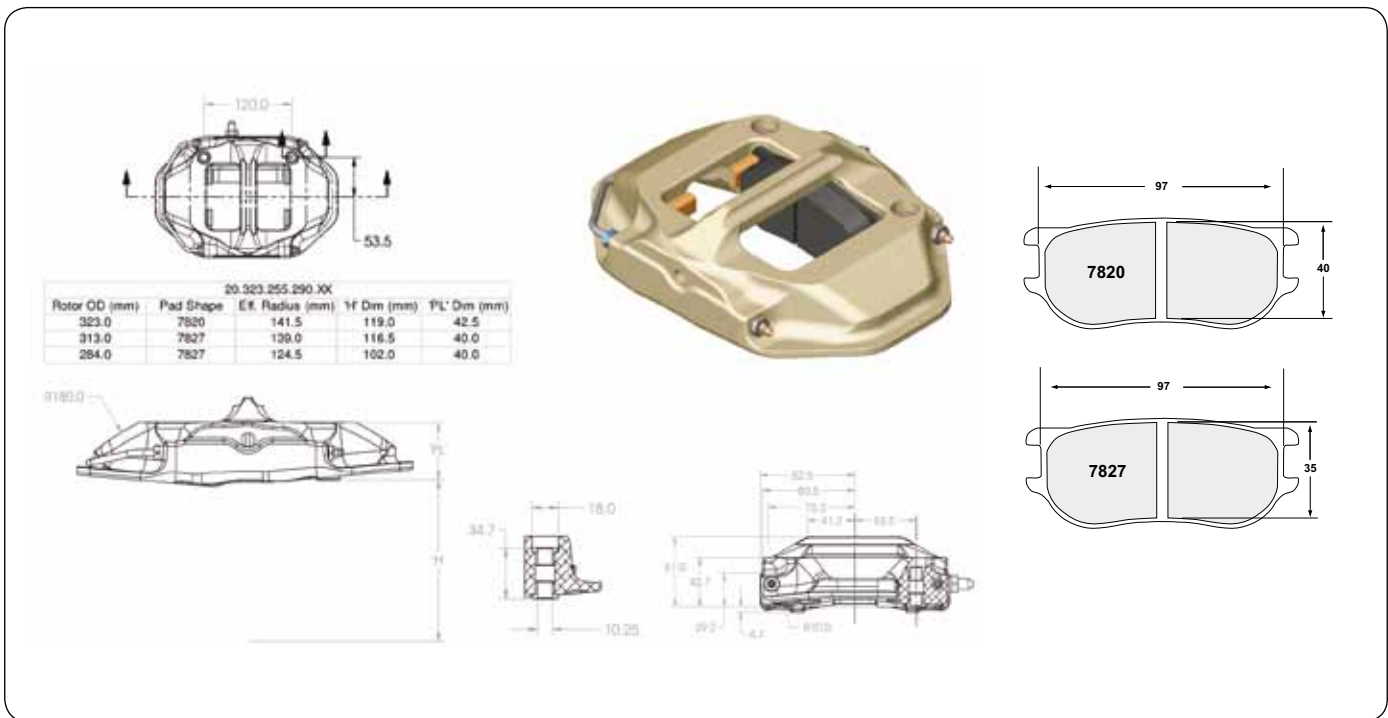
ZR20 Series Caliper
Monobloc - 4 Piston - 2 Pad

ZR20

Common Application: Short Track Rear

Application	Short Track / Int. Rear
Mount Dim. (mm)	120 x 53.5
Piston sizes (mm)	25.5/29.0
Piston area per side (mm ²)	1171.225
Max disc dia (mm)	323
Max disc thickness (mm)	32
Min disc thickness (mm)	28
Max pad thickness (mm)	22
Fluid capacity (cm ³)	41.7
Max operating pressure	103bar / 1500psi
Pad Shape	7820, 7827
Pad area per side (cm ²)	34.34, 30.64
Caliper weight	1.91kg / 4.2lbs

Handing	Caliper Part #
Leading Left	20.323.255.290.01
Leading Right	20.323.255.290.02
Trailing Left	20.323.255.290.11
Trailing Right	20.323.255.290.12

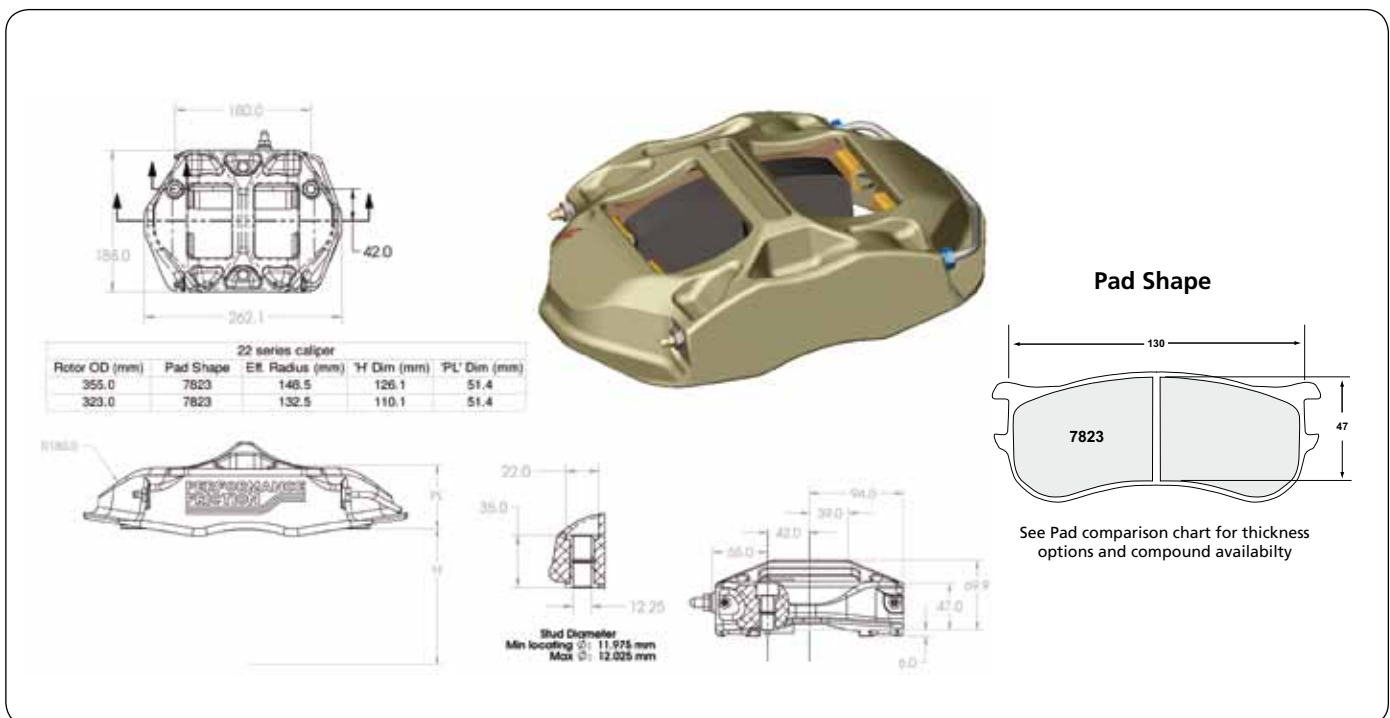


CALIPER SPECIFICATIONS
ZR22 Series Caliper
Monobloc - 4 Piston - 2 Pad
ZR22

Common Application: GT / Various

Application	Heavy Duty Rear	Intermediate Front	GT Rear	GT Front and Rear
Mount Dim. (mm)	180 x 42	180 x 42	180 x 42	180 x 42
Piston sizes (mm)	25.5/29.0	36.5/41.0	29.0/36.5	29.0/36.5
Piston area per side (mm ²)	1171.22	2366.6	1706.86	1706.86
Max disc dia (mm)	323	323	355	355
Max disc thickness (mm)	32	32	32	32
Min disc thickness (mm)	28	28	28	28
Max pad thickness (mm)	29	29	29	29
Fluid capacity (cm ³)	55.0	111.2	80.2	111.2
Max operating pressure	103bar / 1500psi	103bar / 1500psi	103bar / 1500psi	103bar / 1500psi
Pad Shape	7823	7823	7823	7823
Pad area per side (cm ²)	57.05	57.05	57.05	57.05
Caliper weight	2.61kg / 5.7lbs	2.57kg / 5.6lbs	2.61kg / 6.1lbs	2.57kg / 6.0lbs

Handing	Caliper Part #	Caliper Part #	Caliper Part #	Caliper Part #
Leading Left	22.323.255.290.01	22.323.365.410.01	22.355.290.365.01	22.355.365.410.01
Leading Right	22.323.255.290.02	22.323.365.410.02	22.355.290.365.02	22.355.365.410.02
Trailing Left		22.323.365.410.11	22.355.290.365.11	22.355.365.410.11
Trailing Right		22.323.365.410.12	22.355.290.365.12	22.355.365.410.12



CALIPER SPECIFICATIONS

ZR24 Series Caliper
Forged Monobloc - 4 Piston - 2 Pad

ZR24

Common Application: Open wheel Race - Front/Rear

Application	Open wheel race - front/rear
Mount Dim. (mm)	120 x 40
Piston sizes (mm)	25.5/29.0
Piston area per side (mm ²)	1171.22
Max disc dia (mm)	284
Max disc thickness (mm)	20
Min disc thickness (mm)	18
Max pad thickness (mm)	18
Fluid capacity (cm ³)	32.3
Max operating pressure	103bar / 1500psi
Pad Shape	7835, 7827
Pad area per side (cm ²)	28.13, 30.64
Caliper weight	1.27kg / 2.8lbs

Handing	Caliper Part #
Leading Left	24.284.255.290.01
Leading Right	24.284.255.290.02
Trailing Left	24.284.255.290.11
Trailing Right	24.284.255.290.12

24 Series Caliper

Rotor OD (mm)	Pad Shape	ER Radius (mm)	"H" Dim (mm)	"PL" Dim (mm)
284.0	7835	124.5	99.9	42.1
271.0	7835	118	93.4	42.1

Stud Diameter
 Min Locating $\phi 9.975\text{mm}$
 Max $\phi 10.025\text{mm}$

See Pad comparison chart for thickness options and compound availability

CALIPER SPECIFICATIONS

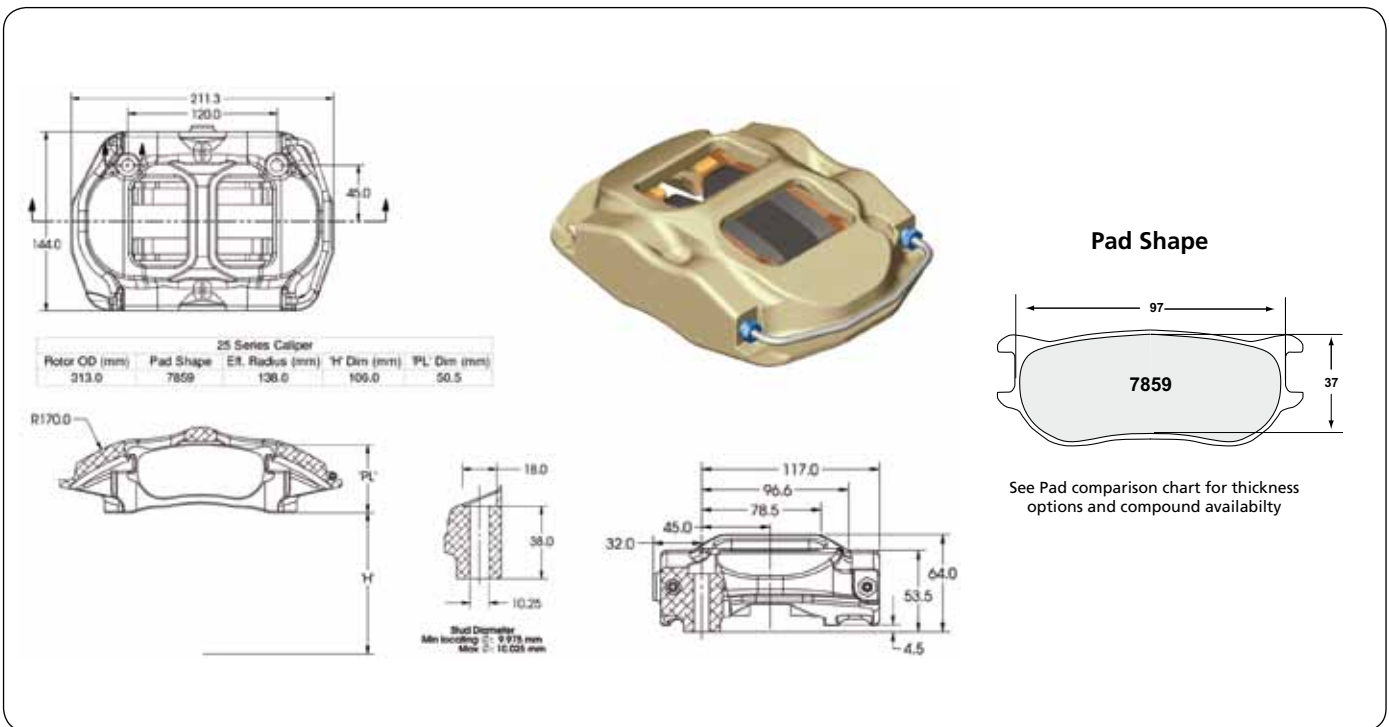
ZR25 Series Caliper
Monobloc - 4 Piston - 2 Pad

ZR25

Common Application: V de V

Application	V de V
Mount Dim. (mm)	120 x 45
Piston sizes (mm)	25.5/29.0
Piston area per side (mm ²)	1171.22
Max disc dia (mm)	313
Max disc thickness (mm)	25
Min disc thickness (mm)	20
Max pad thickness (mm)	20
Fluid capacity (cm ³)	35.1
Max operating pressure	103bar / 1500psi
Pad Shape	7859
Pad area per side (cm ²)	32.57
Caliper weight	1.59 kg / 3.5lbs

Handing	Caliper Part #
Leading Left	25.313.255.290.01
Leading Right	25.313.255.290.02
Trailing Left	25.313.255.290.11
Trailing Right	25.313.255.290.12



CALIPER SPECIFICATIONS

**ZR26 Series Caliper
Monobloc - 4 Piston - 4 Pad**

ZR26

Common Application: GT Front

Application	GT Front	Carbon/Carbon
Mount Dim. (mm)	210 x 42	210 x 42
Piston sizes (mm)	41.0/41.0	41.0/41.0
Piston area per side (mm ²)	2640.5	2640.5
Max disc dia (mm)	378	378
Max disc thickness (mm)	35	35
Min disc thickness (mm)	32	32
Max pad thickness (mm)	28	28
Fluid capacity (cm ³)	121.5	121.5
Max operating pressure	103bar / 1500psi	103bar / 1500psi
Pad Shape	7837	7837 Carbon
Pad area per side (cm ²)	65.56	65.56
Caliper weight	2.96kg / 6.5lbs	2.96kg / 6.5lbs

Handing	Caliper Part #	Caliper Part #
Leading Left	26.378.410.410.01	26.378.410.410.07
Leading Right	26.378.410.410.02	26.378.410.410.08
Trailing Left	26.378.410.410.11	26.378.410.410.17
Trailing Right	26.378.410.410.12	26.378.410.410.18

Pad Shape

7831: 74mm width, 47mm height

7837: 74mm width, 52mm height

See Pad comparison chart for thickness options and compound availability

26 Series Caliper 26.378.XXX.XXX.X1/X2/X3/X4				
Rotor OD (mm)	Pad Shape	Eff. Radius (mm)	H Dim (mm)	PL Dim (mm)
355.0	7837	152.3	118.9	58.6
378.0	7837	163.8	131.0	58.0

26 Series Caliper 26.378.XXX.XXX.X5/X6/X7/X8				
Rotor OD (mm)	Pad Shape	Eff. Radius (mm)	H Dim (mm)	PL Dim (mm)
355.0	7837	152.3	114.5	63.0
378.0	7837	163.8	126.5	62.5

Stud Diameter: Min: 11.925 mm, Max: 12.025 mm

35.0MM ON 26.378.XXX.XXX.X1/X2/X3/X4 CALIPERS

35.0MM ON 26.378.XXX.XXX.X5/X6/X7/X8 CALIPERS

MOUNT SECTION OF 26.378.XXX.XXX.X1/X2/X3/X4: 134.0mm total width, 55.0mm offset, 87.5mm offset, 42.0mm offset, 74.8mm height, 47.2mm offset

MOUNT SECTION OF 26.378.XXX.XXX.X5/X6/X7/X8: 134.0mm total width, 50.0mm offset, 87.5mm offset, 42.0mm offset, 79.3mm height, 51.7mm offset, 1.4mm offset

CALIPER SPECIFICATIONS

ZR27 Series Caliper

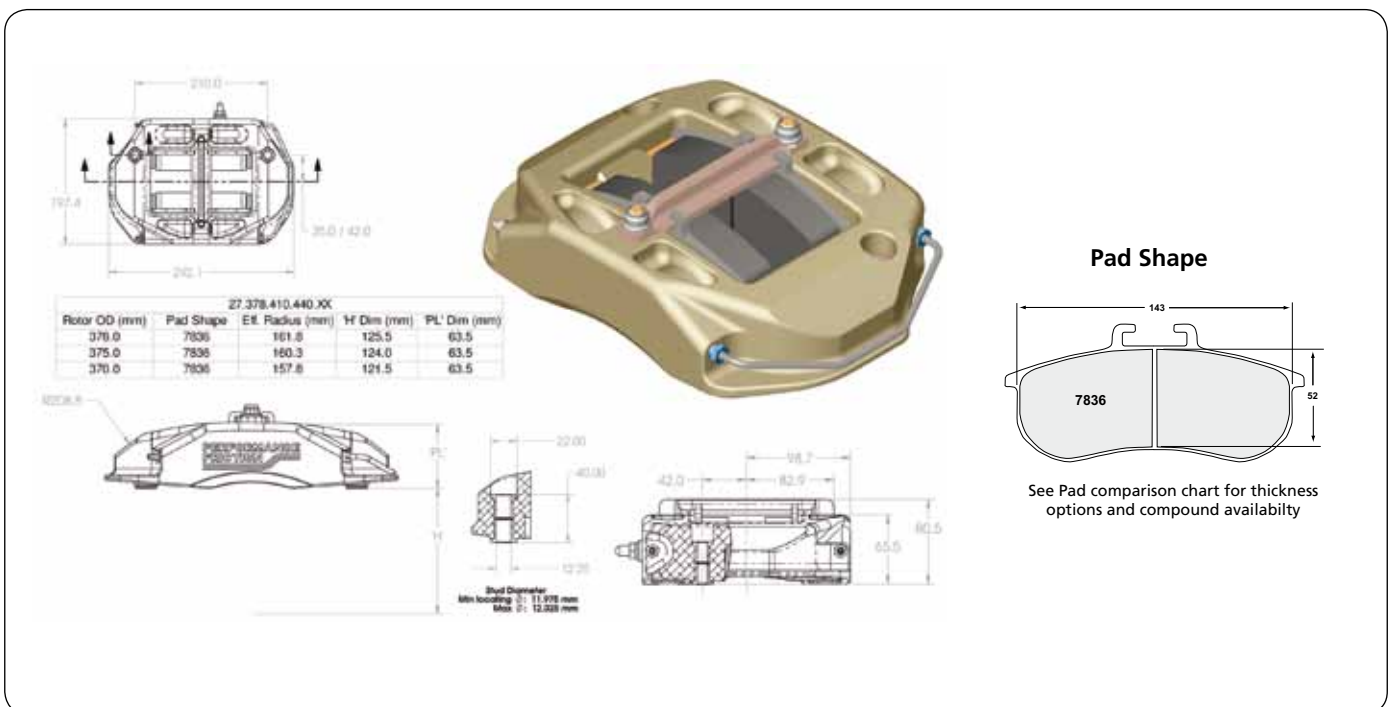
Monobloc - 4 Piston - Removable Bridge - 2 Pad

ZR27

Common Application: Sportscar

Application	Sportscar	Sportscar	Sportscar
Mount Dim. (mm)	210 x 42	210 x 42	210 x 35
Piston sizes (mm)	36.5/41.0	41.0/44.0	41.0/44.0
Piston area per side (mm ²)	2366.6	2840.78	2840.78
Max disc dia (mm)	378	378	378
Max disc thickness (mm)	37	37	37
Min disc thickness (mm)	32	32	32
Max pad thickness (mm)	31	31	31
Fluid capacity (cm ³)	119.3	143.2	143.2
Max operating pressure	103bar / 1500psi	103bar / 1500psi	103bar / 1500psi
Pad Shape	7836	7836	7836
Pad area per side (cm ²)	67.1	67.1	67.1
Caliper weight	3.86kg / 8.5lbs	3.86kg / 8.5lbs	3.86kg / 8.5lbs

Handing	Caliper Part #	Caliper Part #	Caliper Part #
Leading Left		27.378.410.440.01	27.378.410.440.05
Leading Right		27.378.410.440.02	27.378.410.440.06
Trailing Left	27.378.365.410.11	27.378.410.440.11	27.378.410.440.15
Trailing Right	27.378.365.410.12	27.378.410.440.12	27.378.410.440.16



CALIPER SPECIFICATIONS
ZR28 Series Caliper
Monobloc - 4 Piston - 4 Pad
ZR28

Common Application: Champcar / GT / Various / ETCC

Application	Champcar and GT	Various	Various	ETCC
Mount Dim. (mm)	210 x 42	210 x 42	210 x 42	210 x 42
Piston sizes (mm)	36.5/36.5	41.0/41.0	41.0/41.0	41.0/41.0
Piston area per side (mm ²)	2092.69	2640.5	2640.5	2640.5
Max disc dia (mm)	323	323	323	332
Max disc thickness (mm)	32	32	32	32
Min disc thickness (mm)	28	28	28	28
Max pad thickness (mm)	23	23	23	23
Fluid capacity (cm ³)	71.2			
Max operating pressure	103bar / 1500psi	103bar / 1500psi	103bar / 1500psi	103bar / 1500psi
Pad Shape	7831, 7832	7831, 7832	7831, 7832	7837
Pad area per side (cm ²)	59.16, 52.06	59.16, 52.06	59.16, 52.06	65.56
Caliper weight	2.77kg / 6.1lbs	2.77kg / 6.1lbs	2.77kg / 6.1lbs	2.77kg / 6.1lbs

Handing	Caliper Part #	Caliper Part #	Caliper Part #	Caliper Part #
Leading Left	28.323.365.365.01	28.323.410.410.01	28.323.410.410.03	28.332.410.410.03
Leading Right	28.323.365.365.02	28.323.410.410.02	28.323.410.410.04	28.332.410.410.04
Trailing Left	28.323.365.365.11	28.323.410.410.11	28.323.410.410.13	28.332.410.410.13
Trailing Right	28.323.365.365.12	28.323.410.410.12	28.323.410.410.14	28.332.410.410.14

Rotor OD (mm)	Pad Shape	Eff. Radius (mm)	1/4 Dim (mm)	PL Dim (mm)
323.0	7831	137.5	100.0	61.5
318.0	7832	137.5	100.0	59.0

Rotor OD (mm)	Pad Shape	Eff. Radius (mm)	1/4 Dim (mm)	PL Dim (mm)
332.0	7837	140.8	104.8	61.3

Pad Shape

7831

7837

See Pad comparison chart for thickness options and compound availability

CALIPER SPECIFICATIONS

ZR29 Series Caliper
Two-Piece -2 Piston - 2 Pad

ZR29

Common Application: Rear

Application	Rear	Rear	Rear	Rear
Mount Dim. (mm)	125 x 27	125 x 32	125 x 27	125 x 32
Piston sizes (mm)	36.5	36.5	41.0	41.0
Piston area per side (mm ²)	1046.34	1046.34	1320.25	1320.25
Max disc dia (mm)	323	323	323	323
Max disc thickness (mm)	10	20	10	20
Min disc thickness (mm)	8	18	8	18
Max pad thickness (mm)	16	16	16	16
Fluid capacity (cm ³)	23	23	29	29
Max operating pressure	103bar / 1500psi	103bar / 1500psi	103bar / 1500psi	103bar / 1500psi
Pad Shape	7832	7832	7832	7832
Pad area per side (cm ²)	26.03	26.03	26.03	26.03
Caliper weight	1.27kg / 2.8lbs	1.36kg / 3.0lbs	1.27kg / 2.8lbs	1.36kg / 3.0lbs

Handing	Caliper Part #	Caliper Part #	Caliper Part #	Caliper Part #
Leading Left	29.323.365.000.01	29.323.365.000.03	29.323.410.000.01	29.323.410.000.03
Leading Right	29.323.365.000.02	29.323.365.000.04	29.323.410.000.02	29.323.410.000.04
Trailing Left	29.323.365.000.11	29.323.365.000.13	29.323.410.000.11	29.323.410.000.13
Trailing Right	29.323.365.000.12	29.323.365.000.14	29.323.410.000.12	29.323.410.000.14

29 Series Caliper

Rotor OD (mm)	Pad Shape	Eff. Radius (mm)	H' Dim (mm)	PL' Dim (mm)
323.0	7832	140.0	120.5	41.0
321.0	7832	139.0	119.5	41.0
300.0	7832	128.5	109.0	41.0
286.0	7832	121.5	102.0	41.0

Pad Shape

74 x 42

7832

See Pad comparison chart for thickness options and compound availability

Stud Diameter
Min locating ⌀: 9.978 mm
Max ⌀: 10.026 mm

CALIPER SPECIFICATIONS

ZR31

ZR31 Series Caliper - Front Monobloc - 4 piston - 4 Pad

Common Application: Z-Rated Street

Application	Z-Rated street front	Z-Rated street front	Z-Rated street front	Z-Rated street front
Mount Dim. (mm)	210 x 35	210 x 35	210 x 35	210 x 35
Piston sizes (mm)	41.0/41.0	36.5/41.0	36.5/36.5	32.0/32.0
Piston area per side (mm ²)	2641.51	2366.60	2092.69	1608.50
Max disc dia (mm)	373	373	373	373
Max disc thickness (mm)	32	32	32	32
Min disc thickness (mm)	30	30	30	30
Max pad thickness (mm)	16	16	16	16
Fluid capacity (cm ³)	52.8	47.3	41.9	32.2
Max operating pressure	103bar / 1500psi	103bar / 1500psi	103bar / 1500psi	103bar / 1500psi
Pad Shape	7861 / 7863	7861 / 7863	7861 / 7863	7861 / 7863
Pad area per side (cm ²)	20.48, 18.82	20.48, 18.82	20.48, 18.82	20.48, 18.82
Caliper weight	2.95kg / 6.5lbs	2.95kg / 6.5lbs	2.95kg / 6.5lbs	2.95kg / 6.5lbs

Handing	Caliper Part #	Caliper Part #	Caliper Part #	Caliper Part #
Leading Left	31.373.410.410.01	31.373.365.410.01	31.373.410.410.01	31.373.320.320.01
Leading Right	31.373.410.410.02	31.373.365.410.02	31.373.410.410.02	31.373.320.320.02
Trailing Left	31.373.410.410.11	31.373.365.410.11	31.373.410.410.11	31.373.320.320.11
Trailing Right	31.373.410.410.12	31.373.365.410.12	31.373.410.410.12	31.373.320.320.12

Pad Shape

Z1 Series Caliper					
Rotor O.D.(mm)	Pad Shape	ER Radius (mm)	YF Dimm (mm)	PL Dimm (mm)	
373	7863	162.75	123.9	62.6	
373	7861	160.75	123.9	62.6	
355	7863	163.75	114.9	62.6	
355	7861	161.75	114.9	62.6	

Stud Diameter
 Min Locating: \varnothing 11.975 mm
 Max: \varnothing 12.025 mm

See Pad comparison chart for thickness options and compound availability

CALIPER SPECIFICATIONS

ZR31

ZR31 Series Caliper - Rear Monobloc - 4 piston - 4 Pad

Common Application: Z-Rated Street

Application	Z-Rated street rear	Z-Rated street rear	Z-Rated street rear	Z-Rated street rear
Mount Dim. (mm)	210 x 35	210 x 35	210 x 35	210 x 35
Piston sizes (mm)	29.0/32.0	29.0/29.0	25.5/29.0	25.5/25.5
Piston area per side (mm ²)	1464.77	1321.04	1171.23	1021.41
Max disc dia (mm)	373	373	373	373
Max disc thickness (mm)	32	32	32	32
Min disc thickness (mm)	30	30	30	30
Max pad thickness (mm)	16	16	16	16
Fluid capacity (cm ³)	29.3	26.4	23.4	20.4
Max operating pressure	103bar / 1500psi	103bar / 1500psi	103bar / 1500psi	103bar / 1500psi
Pad Shape	7861 / 7863	7861 / 7863	7861 / 7863	7861 / 7863
Pad area per side (cm ²)	20.48, 18.82	20.48, 18.82	20.48, 18.82	20.48, 18.82
Caliper weight	2.95kg / 6.5lbs	2.95kg / 6.5lbs	2.95kg / 6.5lbs	2.95kg / 6.5lbs

Handing	Caliper Part #	Caliper Part #	Caliper Part #	Caliper Part #
Leading Left	31.373.290.320.01	31.373.290.290.01	31.373.255.290.01	31.373.255.255.01
Leading Right	31.373.290.320.02	31.373.290.290.02	31.373.255.290.02	31.373.255.255.02
Trailing Left	31.373.290.320.11	31.373.290.290.11	31.373.255.290.11	31.373.255.255.11
Trailing Right	31.373.290.320.12	31.373.290.290.12	31.373.255.290.12	31.373.255.255.12

Rotor OD(mm)	Pad Shape	EF Radius (mm)	H Dimm (mm)	PL Dimm(mm)
373	7863	162.75	123.9	62.6
373	7861	160.75	123.9	62.6
355	7863	153.75	114.9	62.6
355	7861	151.75	114.9	62.6

R206.5
 Stud Diameter
 Min Locating ϕ : 11.975 mm
 Max ϕ : 12.025 mm

See Pad comparison chart for thickness options and compound availability

CALIPER SPECIFICATIONS

ZR33 Series Caliper

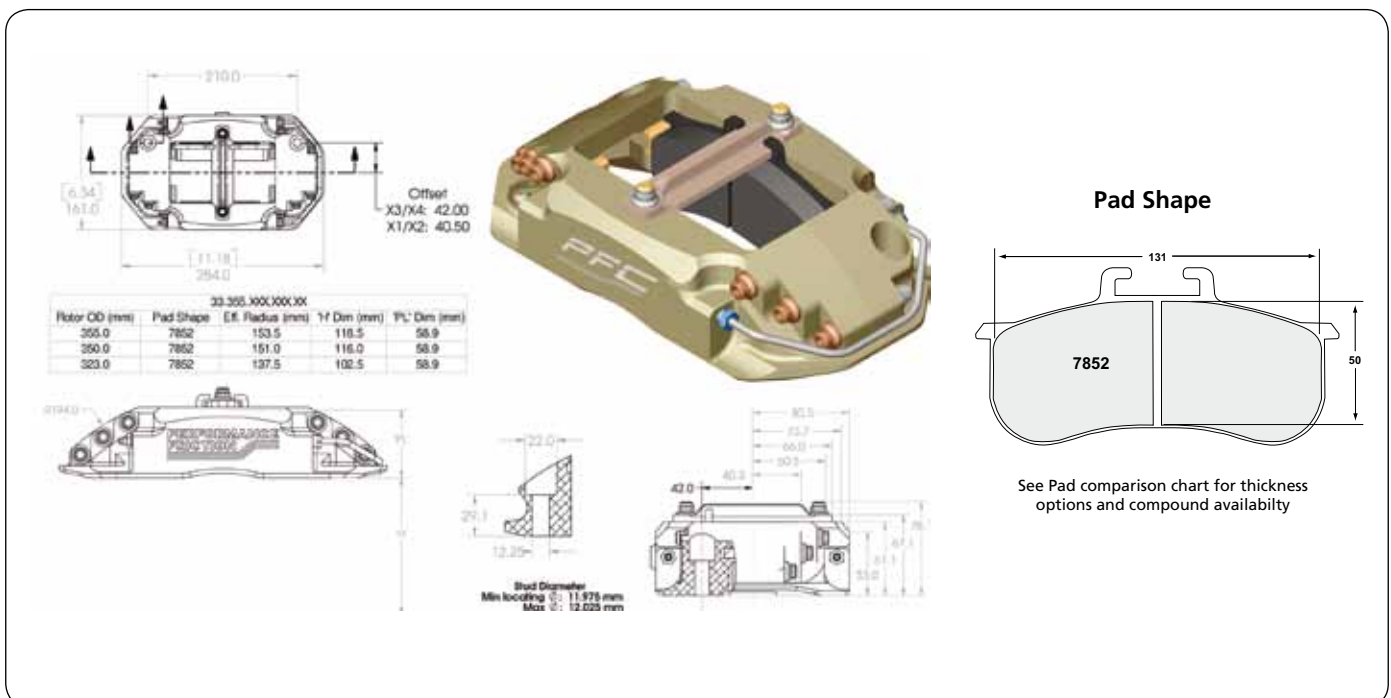
Two-piece - 4 Piston - Removable Bridge - 2 Pad

ZR33

Common Application: GT / Various

Application	Rear	Front	Front
Mount Dim. (mm)	210 x 40.5	210 x 42	210 x 42
Piston sizes (mm)	29.0/36.5	36.5/41.0	41.0/44.0
Piston area per side (mm ²)	1706.86	2366.6	2840.78
Max disc dia (mm)	355	355	355
Max disc thickness (mm)	32	35	35
Min disc thickness (mm)	28	31	31
Max pad thickness (mm)	21.5	21.5	21.5
Fluid capacity (cm ³)	54.6	75.7	90.9
Max operating pressure	103bar / 1500psi	103bar / 1500psi	103bar / 1500psi
Pad Shape	7852	7852	7852
Pad area per side (cm ²)	57.05	57.05	57.05
Caliper weight	3.16kg / 7.0lbs	3.13kg / 6.9lbs	3.10kg / 6.8lbs

Handing	Caliper Part #	Caliper Part #	Caliper Part #
Leading Left	33.355.290.365.01	33.355.365.410.03	33.355.410.440.03
Leading Right	33.355.290.365.02	33.355.365.410.04	33.355.410.440.04
Trailing Left	33.355.290.365.11	33.355.365.410.13	33.355.410.440.13
Trailing Right	33.355.290.365.12	33.355.365.410.14	33.355.410.440.14



CALIPER SPECIFICATIONS

ZR34 Series Caliper Monobloc - 4 Piston - 2 Pad

ZR34

Common Application: Various

Application	Various	Various
Mount Dim. (mm)	180 x 42mm	180 x 42mm
Piston sizes (mm)	25.5/29.0	41.0/44.0
Piston area per side (mm ²)	1171.22	2840.78
Max disc dia (mm)	330	330
Max disc thickness (mm)	32	32
Min disc thickness (mm)	30	30
Max pad thickness (mm)	19	19
Fluid capacity (cm ³)	32.8	79.5
Max operating pressure	103bar / 1500psi	103bar / 1500psi
Pad Shape	7934 / 7823	7934 / 7823
Pad area per side (cm ²)	74.8	74.8
Caliper weight	2.2kg / 4.9lbs	2.0kg / 4.5lbs

Handing	Caliper Part #	Caliper Part #
Leading Left	34.323.255.290.01	34.323.410.440.01
Leading Right	34.323.255.290.02	34.323.410.440.02
Trailing Left	34.323.255.290.11	34.323.410.440.11
Trailing Right	34.323.255.290.12	34.323.410.440.12

34.323.XXX.XXX.XX				
Rotor OD (mm)	Pad Shape	E.E. Radius (mm)	H Dim (mm)	PL' Dim (mm)
323.0	7934	341.0	108.5	53.0
299.0	7934	329.0	96.5	53.0

Pad Shape

7934

7915

See Pad comparison chart for thickness options and compound availability

Stud Diameter
Min Locating : 11.875 mm
Max : 12.025 mm

CALIPER SPECIFICATIONS

ZR35 Series Caliper
Monobloc - 4 Piston - 4 Pad

ZR35

Common Application: GT Rear

Application	GT Rear	GT Rear	GT Rear	GT Rear
Mount Dim. (mm)	210 x 42mm	210 x 42mm	210 x 42mm	210 x 42mm
Piston sizes (mm)	29.0/36.5	36.5/36.5	41.0/41.0	44.0/44.0
Piston area per side (mm ²)	1706.86	2092.69	2640.5	3041.06
Max disc dia (mm)	378	378	378	378
Max disc thickness (mm)	32	32	32	32
Min disc thickness (mm)	28	28	28	28
Max pad thickness (mm)	23	23	23	23
Fluid capacity (cm ³)	58.0	71.2	89.8	103.4
Max operating pressure	103bar / 1500psi	103bar / 1500psi	103bar / 1500psi	103bar / 1500psi
Pad Shape	7831, 7832	7831, 7832	7837	7837
Pad area per side (cm ²)	59.16, 52.06	59.16, 52.06	65.56	65.56
Caliper weight	2.72kg / 6.0lbs	2.68kg / 5.9lbs	2.68kg / 5.9lbs	2.68kg / 5.9lbs

Handing	Caliper Part #	Caliper Part #	Caliper Part #	Caliper Part #
Leading Left	35.378.365.290.01	35.378.365.365.01	35.378.410.410.03	35.378.440.440.03
Leading Right	35.378.365.290.02	35.378.365.365.02	35.378.410.410.04	35.378.440.440.04
Trailing Left	35.378.365.290.11	35.378.365.365.11	35.378.410.410.13	35.378.440.440.13
Trailing Right	35.378.365.290.12	35.378.365.365.12	35.378.410.410.14	35.378.440.440.14

35 Series Caliper

Rotor OD (mm)	Pad Shape	Et. Radius (mm)	YF Dim (mm)	PL Dim (mm)
355.0	7831, 7837	153.5, 152.2	119.9	57.6
378.0	7831, 7837	165.0, 163.7	132.0	57.0
355.0	7832	156.0	122.4	55.1
378.0	7832	167.5	134.5	54.5

Pad Shape

7831 / 7837

74

47 / 52

See Pad comparison chart for thickness options and compound availability

CALIPER SPECIFICATIONS

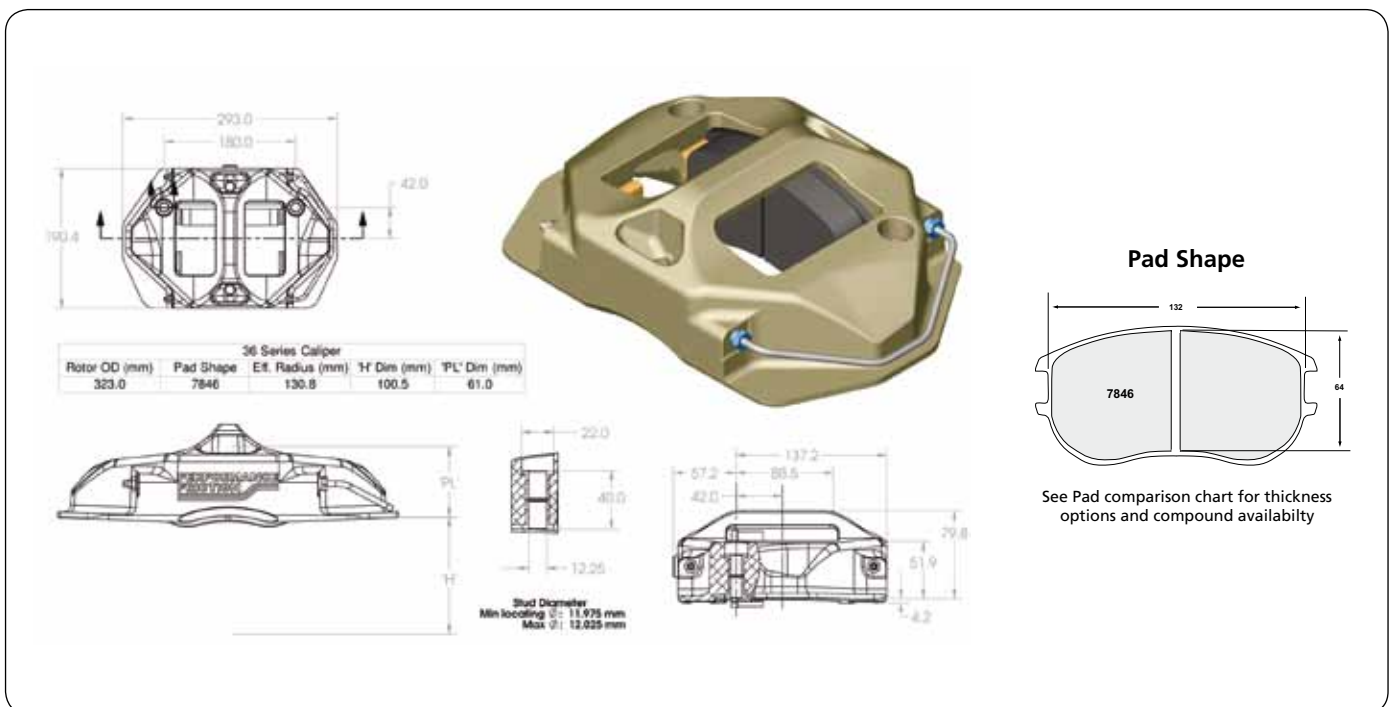
ZR36 Series Caliper
Monobloc - 4 Piston - 2 Pad

ZR36

Common Application: Short Track Front

Application	Short Track Front
Mount Dim. (mm)	180 x 42
Piston sizes (mm)	41.0/44.0
Piston area per side (mm ²)	2840.78
Max disc dia (mm)	323
Max disc thickness (mm)	35
Min disc thickness (mm)	32
Max pad thickness (mm)	29
Fluid capacity (cm ³)	130.7
Max operating pressure	103bar / 1500psi
Pad Shape	7846
Pad area per side(cm ²)	75.23
Caliper weight	3.23 kg / 7.1lbs

Handing	Caliper Part #
Leading Left	36.323.410.440.01
Leading Right	36.323.410.440.02
Trailing Left	36.323.410.440.11
Trailing Right	36.323.410.440.12



CALIPER SPECIFICATIONS

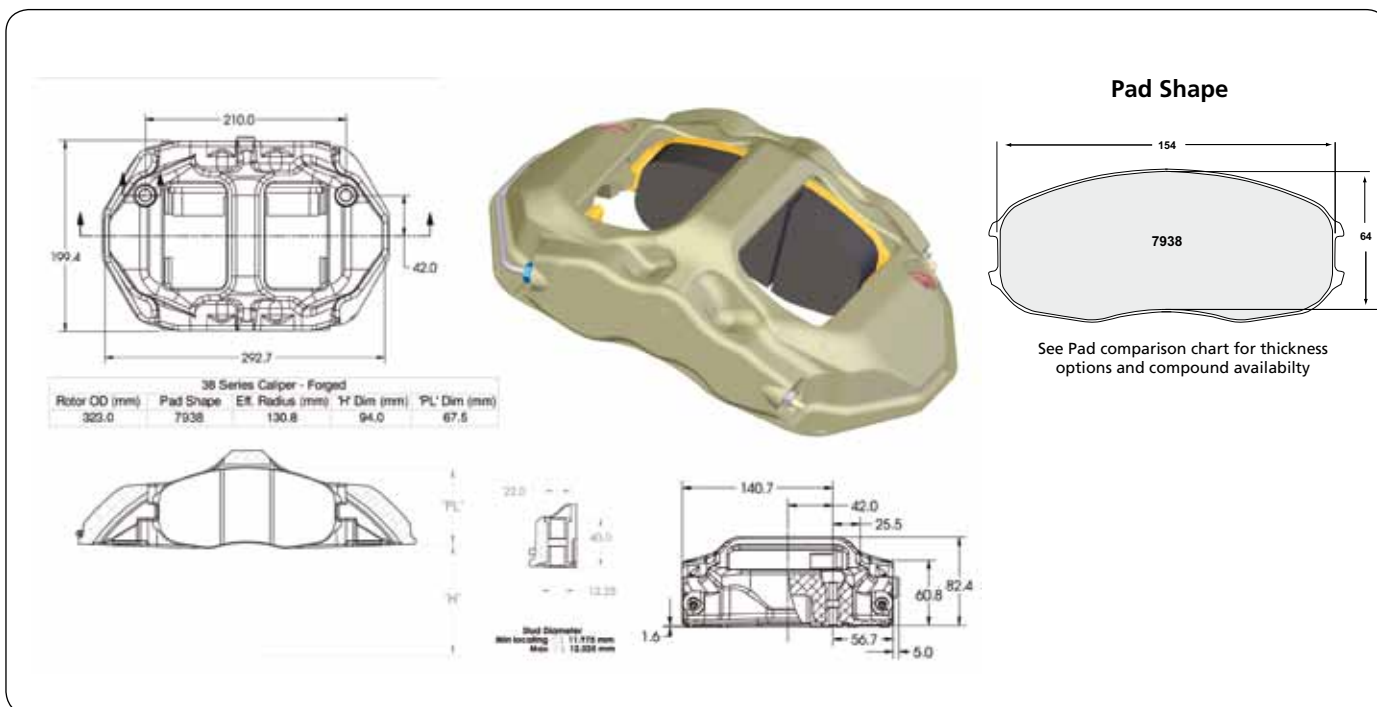
ZR38 Series Caliper
Monobloc - 6 Piston - 2 Pad

ZR38

Common Application: Short Track Front

Application	Short Track Front
Mount Dim. (mm)	210 x 42
Piston sizes (mm)	29.0/36.5/41.0
Piston area per side (mm ²)	3027.1
Max disc dia (mm)	323
Max disc thickness (mm)	42
Min disc thickness (mm)	40
Max pad thickness (mm)	30
Fluid capacity (cm ³)	145.3
Max operating pressure	103bar / 1500psi
Pad Shape	7938
Pad area per side (cm ²)	85.3
Caliper weight	3.18 kg / 7.0lbs

Handing	Caliper Part #
Leading Left	38.323.290.410.03
Leading Right	38.323.290.410.04
Trailing Left	38.323.290.410.13
Trailing Right	38.323.290.410.14



CALIPER SPECIFICATIONS

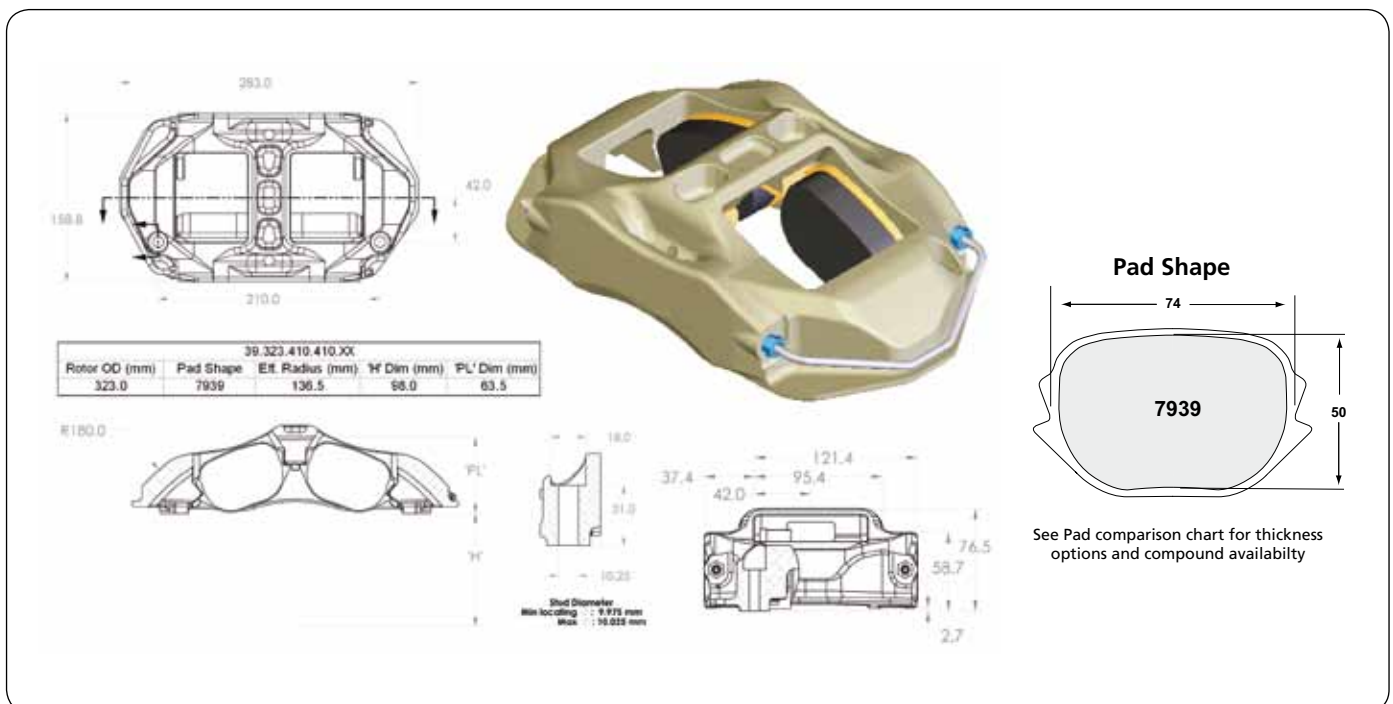
ZR39 Series Caliper
Monobloc - 4 Piston - 4 Pad

ZR39

Common Application: Champ Car - MMC, Touring Car - Alum

Application	Champ Car - MMC	Touring Car - Alum.
Mount Dim. (mm)	210 x 42	210 x 42
Piston sizes (mm)	41.0/41.0	41.0/41.0
Piston area per side (mm ²)	2640.5	2640.5
Max disc dia (mm)	323	323
Max disc thickness (mm)	32	32
Min disc thickness (mm)	28	28
Max pad thickness (mm)	23	23
Fluid capacity (cm ³)	95.1	95.1
Max operating pressure 1	103bar / 1500psi	103bar / 1500psi
Pad Shape	7939	7939
Pad area per side (cm ²)	62	62
Caliper weight	2.5 kg / 5.5lbs	2.5 kg / 5.5lbs

Handing	Caliper Part #	Caliper Part #
Leading Left	39.323.410.410.01	39.323.410.410.03
Leading Right	39.323.410.410.02	39.323.410.410.04
Trailing Left	39.323.410.410.11	39.323.410.410.13
Trailing Right	39.323.410.410.12	39.323.410.410.14



CALIPER SPECIFICATIONS

ZR40 Series Caliper
Monobloc - 6 Piston - 2 Pad

ZR40

Common Application: Formula Nippon

Application	Formula Nippon
Mount Dim. (mm)	202 x 30
Piston Sizes (mm)	29.0 / 29.0 / 36.5
Piston area per side (mm ²)	2367.4
Max disc dia. (mm)	281
Max disc thickness (mm)	31
Min disc thickness (mm)	28
Max pad thickness (mm)	20
Fluid capacity (cm ³)	75.8
Max operating pressure	103 bar / 1500 psi
Pad Shape	7940
Pad area per side (cm ²)	53.65
Caliper Weight	2.2 kg / 4.9 lbs
Handing	Caliper Part #
Trailing Left	40.281.290.365.11
Trailing Right	40.281.290.365.12

40 Series Caliper

Rotor OD (mm)	Pad Shape	ER Radius (mm)	H Dim (mm)	PL Dim (mm)
280.5	7940	120.25	76.5	63.5

Pad Shape

See Pad comparison chart for thickness options and compound availability

CALIPER SPECIFICATIONS

ZR41 Series Caliper
Monobloc - 4 Piston - 2 Pad

ZR41

Common Application: Various

Application	Various
Mount dim. (mm)	180 x 42
Piston sizes (mm)	36.5/41.0
Piston area per side (mm ²)	2366.6
Max disc dia. (mm)	323
Max disc thickness (mm)	32
Min. disc thickness (mm)	32
Max pad thickness (mm)	22
Fluid Capacity (cm ³)	42.6
Max operating pressure	103 bar / 1500 psi
Pad shape	7907 / 7934 / 7941
Pad area per side (cm ²)	43.92
Caliper weight	2.1kg/4.6lbs

Handing	Caliper Part #
Leading Left	41.323.365.410.01
Leading Right	41.323.365.410.02
Trailing Left	41.323.365.410.11
Trailing Right	41.323.365.410.12

Rotor OD (mm)	Pad Shape	ER. Radius (mm)	W Dim (mm)	Fl. Dim (mm)
323.0	7941	141.0	110.1	51.4

Shut Diameter
 Min Locating \varnothing 11.975mm
 Max \varnothing 12.025mm

Pad Shape

See Pad comparison chart for thickness options and compound availability

CALIPER SPECIFICATIONS
ZR43 Series Caliper
Monobloc - 4 Piston - 2 Pad
ZR43

Common Application: Speedway Rear - F3 Front / Rear

Application	Speedway Rear	F3 Front	F3 Rear
Mount Dim. (mm)	120 x 40	120 x 40	120 x 40
Piston sizes (mm)	25.5/29.0	25.5/29.0	25.5/29.0
Piston area per side (mm ²)	1171.22	1171.22	1171.22
Max disc dia (mm)	284	284	284
Max disc thickness (mm)	19	19	19
Min disc thickness (mm)	18	18	18
Max pad thickness (mm)	18	18	18
Fluid capacity (cm ³)	32.3	32.3	32.3
Max operating pressure	103bar/1500psi	103bar/1500psi	103bar/1500psi
Pad shape	7827-7835-7878-7943	7827-7835-7878-7943	7827-7835-7878-7943
Pad area per side (cm ²)	30.64, 30.64, 28.13	30.64, 30.64, 28.13	30.64, 30.64, 28.13
Caliper weight	1.18kg/2.6lbs	1.18kg/2.6lbs	1.18kg/2.6lbs

Handing	Caliper Part #	Caliper Part #	Caliper Part #
Leading Left	43.284.255.290.01	N/A	43.284.255.290.03
Leading Right	43.284.255.290.02	N/A	43.284.255.290.04
Trailing Left	N/A	43.284.255.290.11	N/A
Trailing Right	N/A	43.284.255.290.12	N/A

Motor OD (mm)	Pad Shape	ER Radius (mm)	W Dim (mm)	PL Dim (mm)
284.0	7943	124.5	99.9	42.1
271.0	7835	119.5	93.6	41.7

Stud Diameter
 Min Locating \varnothing : 9.975mm
 Max \varnothing : 10.025mm

Pad Shape

See Pad comparison chart for thickness options and compound availability

CALIPER SPECIFICATIONS

ZR45

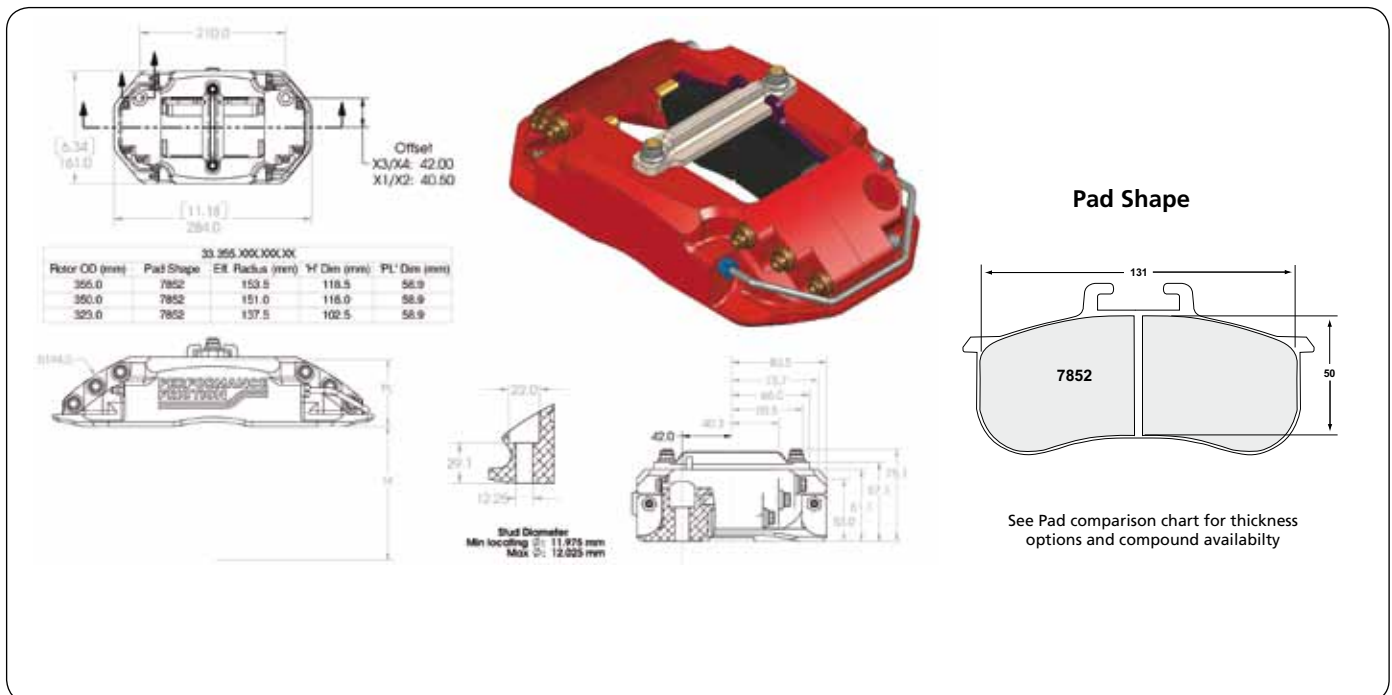
ZR45 Series Caliper

Two-piece - 4 piston - Removable Bridge - 2 Pad

Common Application: Various

Application	Rear	Rear	Front	Front
Mount Dim. (mm)	210 x 40.5	210 x 40.5	210 x 42	210 x 42
Piston sizes (mm)	29.0/36.5	29.0/36.5	36.5/41.0	41.0/44.0
Piston area per side (mm ²)	1706.86	1706.86	2366.6	2840.78
Max disc dia (mm)	355	355	355	355
Max disc thickness (mm)	32	32	35	35
Min disc thickness (mm)	28	28	31	31
Max pad thickness (mm)	21.5	21.5	21.5	21.5
Fluid capacity (cm ³)	54.6	54.6	75.7	90.9
Max operating pressure	103bar / 1500psi	103bar / 1500psi	103bar / 1500psi	103bar / 1500psi
Pad Shape	7852	7852	7852	7852
Pad area per side(cm ²)	57.05	57.05	57.05	57.05
Caliper weight	3.16kg / 7.0lbs	3.16kg / 7.0lbs	3.13kg / 6.9lbs	3.10kg / 6.8lbs

Handing	Caliper Part #	Caliper Part #	Caliper Part #	Caliper Part #
Leading Left	45.355.290.365.01	45.355.290.365.05	45.355.365.410.03	45.355.410.440.03
Leading Right	45.355.290.365.02	45.355.290.365.06	45.355.365.410.04	45.355.410.440.04
Trailing Left	45.355.290.365.11	45.355.290.365.15	45.355.365.410.13	45.355.410.440.13
Trailing Right	45.355.290.365.12	45.355.290.365.16	45.355.365.410.14	45.355.410.440.14



CALIPER SPECIFICATIONS

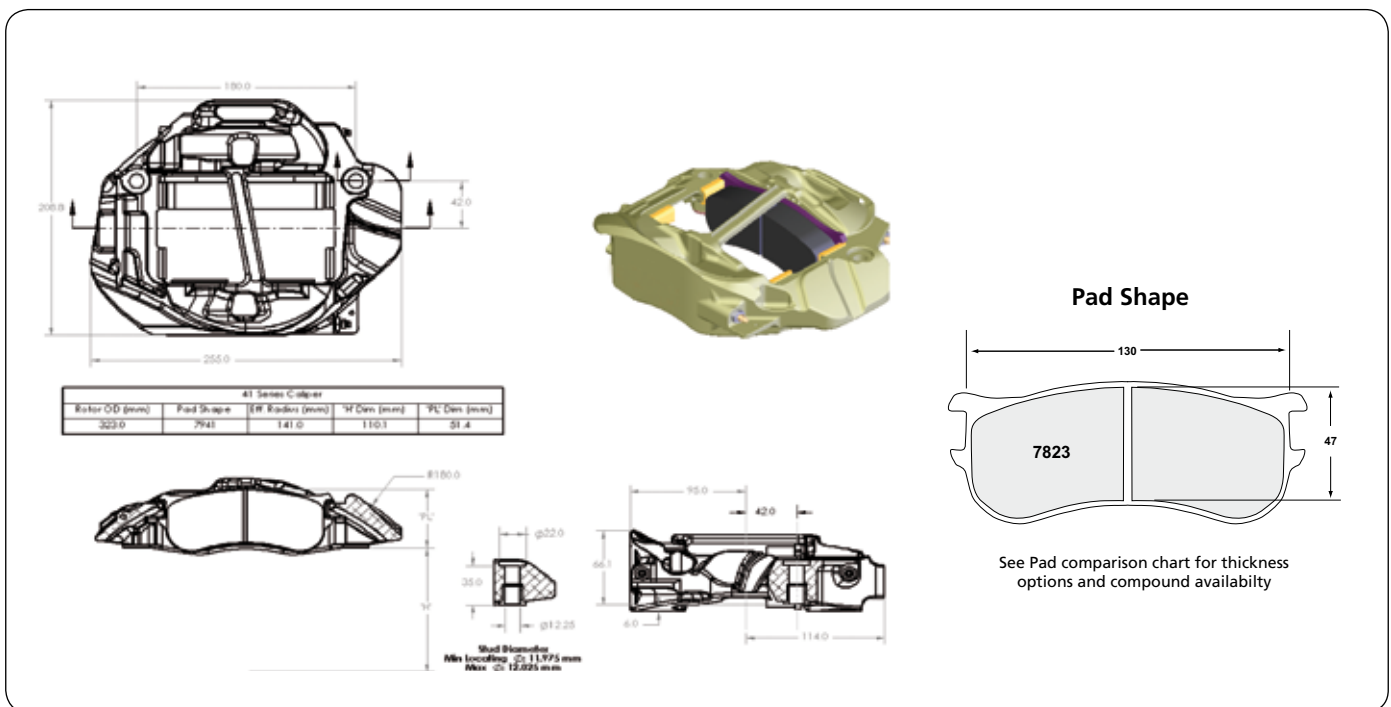
ZR49 Series Caliper - Front Monobloc - 4 Piston - 2 Pad

ZR49

Common Application: Various

Application	Intermediate Front	Intermediate Front	Intermediate Front
Mount Dim. (mm)	180 x 42	180 x 42	180 x 42
Piston sizes (mm)	32.0/36.5	36.5/41.0	41.0/44.0
Piston area per side (mm ²)	1850.59	2366.60	2840.79
Max disc dia (mm)	323	323	323
Max disc thickness (mm)	32	32	32
Min disc thickness (mm)	30	30	30
Max pad thickness (mm)	29	29	29
Fluid capacity (cm ³)	43.5	55.6	66.8
Max operating pressure	103bar/1500psi	103bar/1500psi	103bar/1500psi
Pad shape	7823	7823	7823
Pad area per side (cm ²)	57.05	57.05	57.05
Caliper weight	2.39kg/5.3lbs	2.39kg/5.3lbs	2.39kg/5.3lbs

Handing	Caliper Part #	Caliper Part #	Caliper Part #
Leading Left	49.323.320.365.01	49.323.365.410.01	49.323.410.440.01
Leading Right	49.323.320.365.02	49.323.365.410.02	49.323.410.440.02



CALIPER SPECIFICATIONS

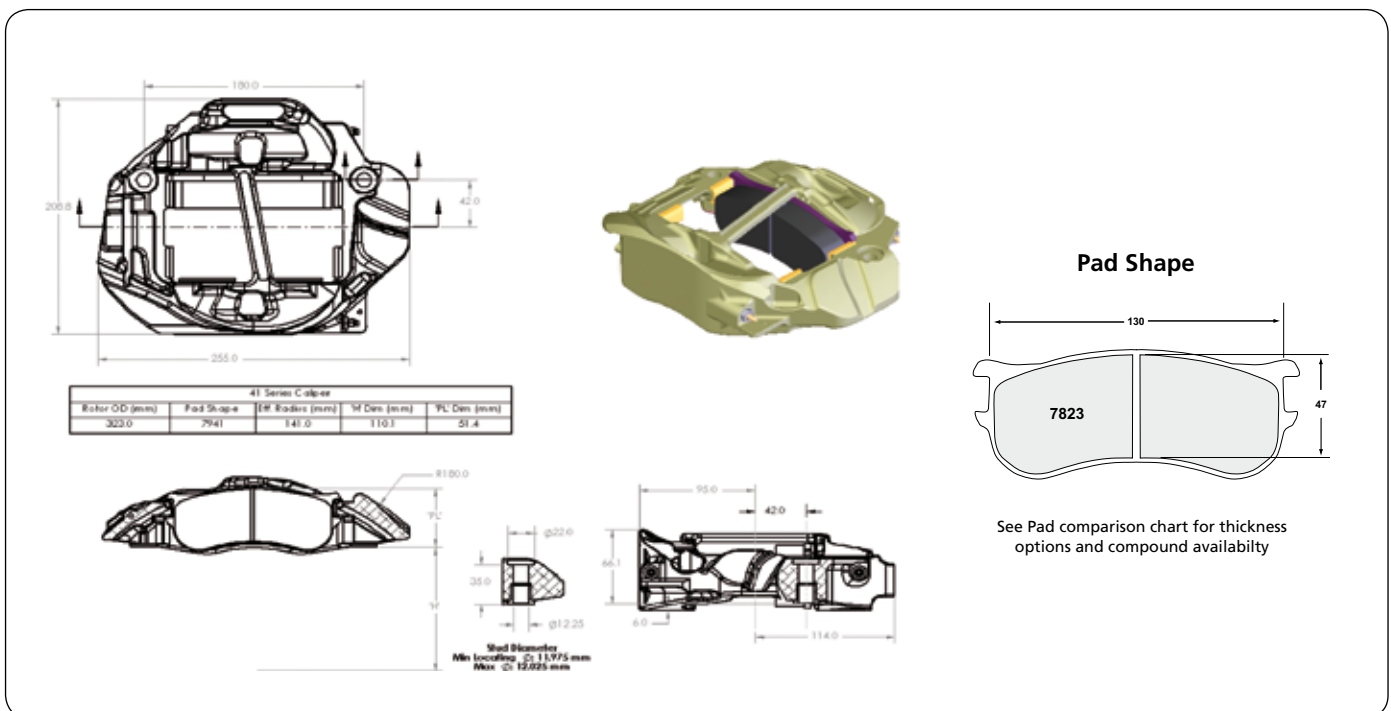
ZR49 Series Caliper - Rear
Monobloc - 4 Piston - 2 Pad

ZR49

Common Application: Various

Application	Short Track Rear	Short Track Rear	Short Track Rear
Mount Dim. (mm)	180 x 42	180 x 42	180 x 42
Piston sizes (mm)	25.5/29.0	290/32.0	29.0/36.5
Piston area per side (mm ²)	1171.22	1464.77	1706.86
Max disc dia (mm)	323	323	323
Max disc thickness (mm)	32	32	32
Min disc thickness (mm)	28	28	28
Max pad thickness (mm)	29	29	29
Fluid capacity (cm ³)	27.5	34.4	40.1
Max operating pressure	103bar/1500psi	103bar/1500psi	103bar/1500psi
Pad shape	7823	7823	7823
Pad area per side (cm ²)	57.05	57.05	57.05
Caliper weight	2.39kg/5.3lbs	2.39kg/5.3lbs	2.39kg/5.3lbs

Handing	Caliper Part #	Caliper Part #	Caliper Part #
Leading Left	49.323.255.290.01	49.323.290.320.01	49.323.290.365.01
Leading Right	49.323.255.290.01	49.323.290.320.02	49.323.290.365.02



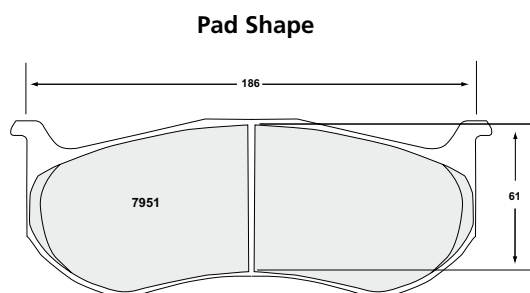
CALIPER SPECIFICATIONS

ZR51 Series Caliper
Monobloc - 4 Piston - 2 Pad

ZR51

Common Application: Military

Application	Military
Piston sizes (mm)	66.5
Max disc dia (mm)	405
Max disc thickness (mm)	36
Radial depth	60
Pad shape	7951
Handing	Caliper Part #
BAE R – Leading or L – Trailing	51.405.665.665.01
BAE L – Leading or R Trailing	51.405.665.665.02
R – Leading or L – Trailing	51.405.665.665.03
L – Leading or R Trailing	51.405.665.665.04



See Pad comparison chart for thickness options and compound availability

CALIPER SPECIFICATIONS

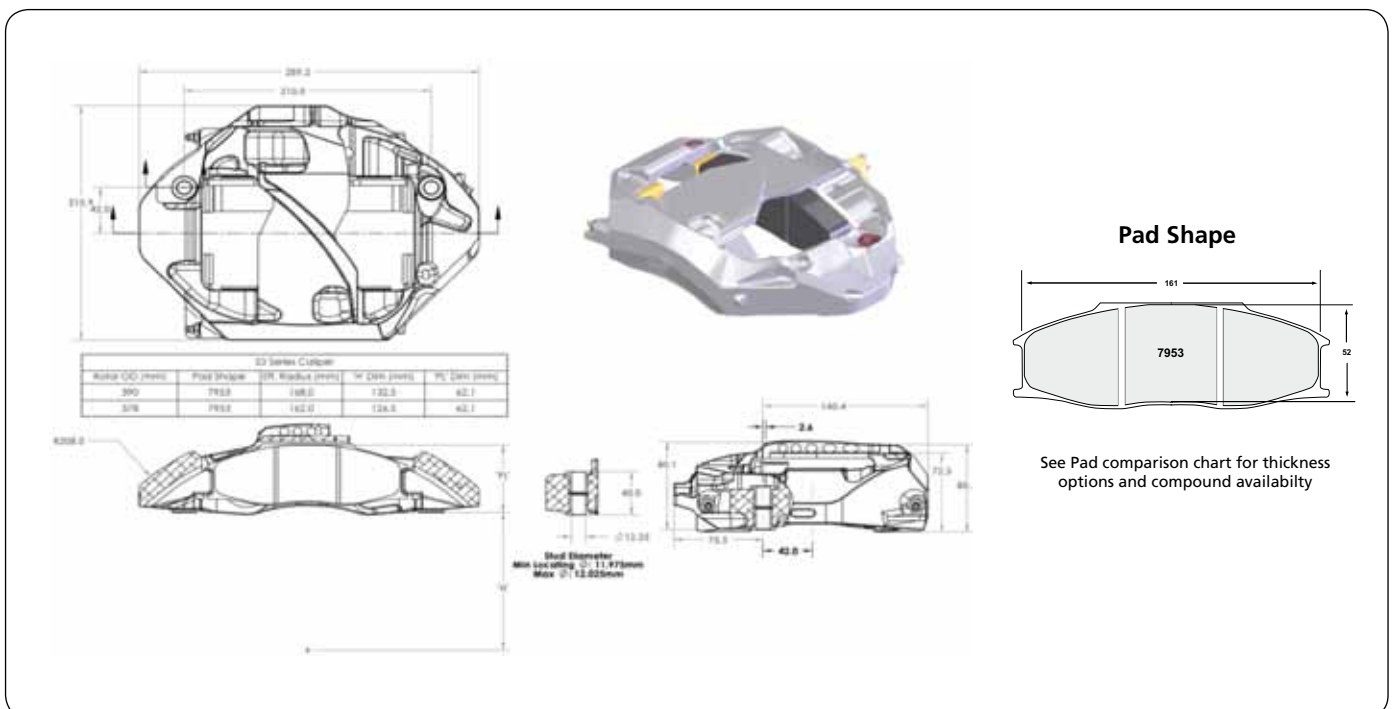
ZR53

ZR53 Series Caliper Monobloc - 6 Piston - 2 Pad

Common Application: Sports Car / Super GT

Application	Sports Car	Super GT	Sports Car
Mount Dim. (mm)	210 x 42	210 x 42	210 x 42
Piston sizes (mm)	29.0/36.5/41.0	29.0/36.5/41.0	29.0/36.5/41.0
Piston area per side (mm ²)	3027.1	3027.1	3027.1
Max disc dia (mm)	378	378	390
Max disc thickness (mm)	35	35	35
Min disc thickness (mm)	32	32	32
Max pad thickness (mm)	29	29	29
Fluid capacity (cm ³)	175.6	175.6	175.6
Max operating pressure	103bar/1500psi	103bar/1500psi	103bar/1500psi
Pad shape	7953-7904	7953-7904	7953-7904
Pad area per side (cm ²)	69.5	69.5	69.5
Caliper weight	3.15kg/6.9lbs	3.08kg/6.8lbs	3.15kg/6.9lbs

Handing	Caliper Part #	Caliper Part #	Caliper Part #
Leading Left	53.378.290.410.01	53.378.290.410.03	53.390.290.410.01
Leading Right	53.378.290.410.02	53.378.290.410.04	53.390.290.410.02
Trailing Left	53.378.290.410.11	53.378.290.410.13	53.390.290.410.11
Trailing Right	53.378.290.410.12	53.378.290.410.14	53.390.290.410.12



CALIPER SPECIFICATIONS

ZR54

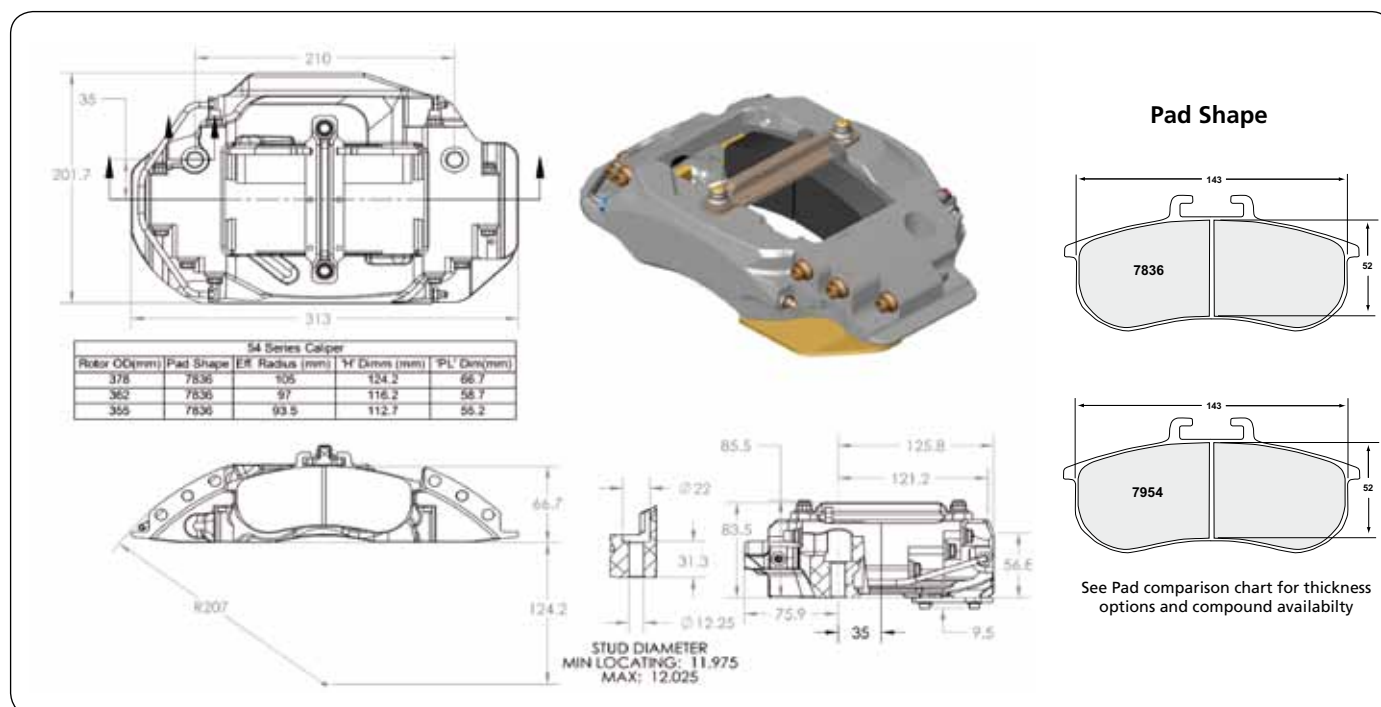
ZR54 Series Caliper

Two Piece - 4 Piston - Removable Bridge - 2 Pad

Common Application: GT Front

Application	GT Front	GT Front	GT Front
Mount Dim. (mm)	210 x 35	210 x 35	210 x 35
Piston sizes (mm)	36.5/41.0	36.5/44.0	41.0/44.0
Piston area per side (mm ²)	2366.6	2566.92	2840.82
Max disc dia (mm)	378	378	378
Max disc thickness (mm)	32	32	32
Min disc thickness (mm)	30	30	30
Max pad thickness (mm)	29	29	29
Fluid capacity (cm ³)	68.6	74.46	82.47
Max operating pressure	103bar/1500psi	103bar/1500psi	103bar/1500psi
Pad shape	7836	7836	7836
Pad area per side (cm ²)	67.13	67.13	67.13
Caliper weight	3.90kg/8.6lbs	3.88kg/8.5lbs	3.90kg/8.6lbs

Handing	Caliper Part #	Caliper Part #	Caliper Part #
Leading Left	54.378.365.410.01	54.378.365.440.01	54.378.410.440.01
Leading Right	54.378.365.410.02	54.378.365.440.02	54.378.410.440.02
Trailing Left	54.378.365.410.11	54.378.365.440.11	54.378.410.440.11
Trailing Right	54.378.365.410.12	54.378.365.440.12	54.378.410.440.12



CALIPER SPECIFICATIONS

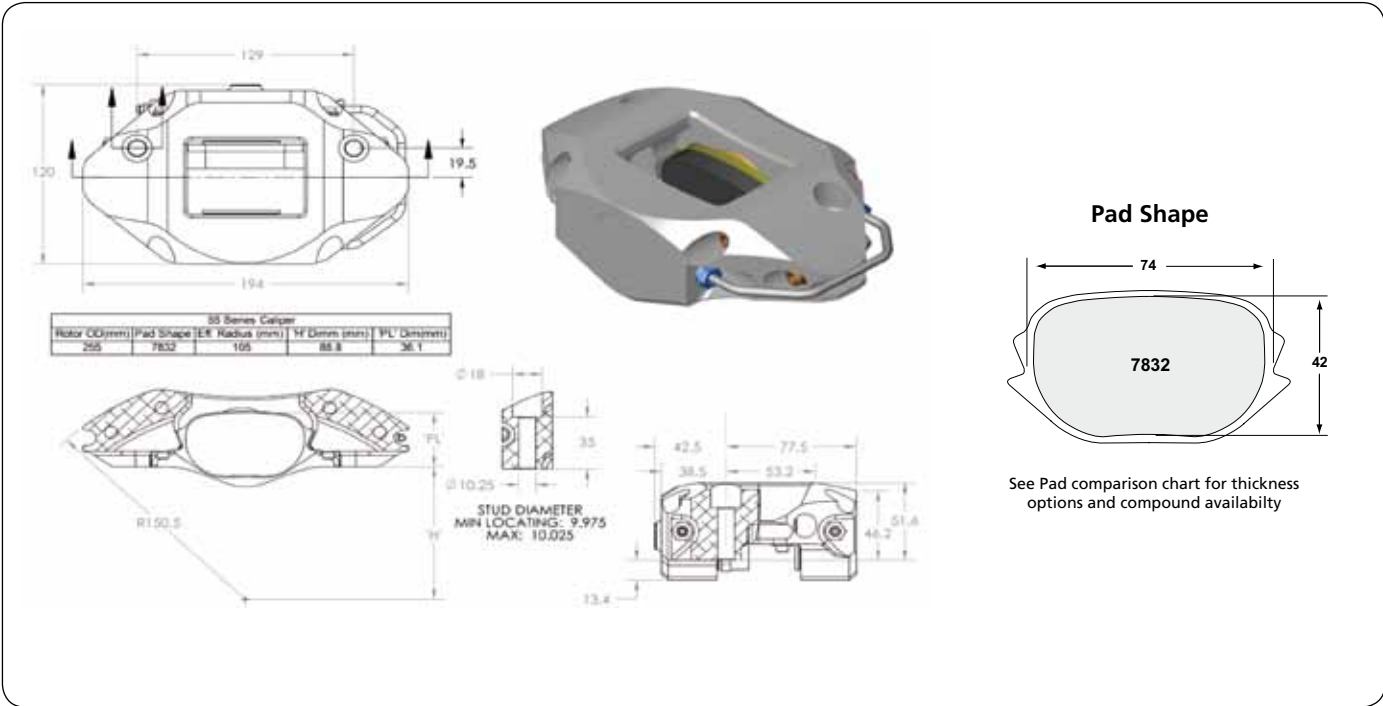
ZR55 Series Caliper
Two Piece - 2 Piston - 2 Pad

ZR55

Common Application: FF2000

Application	FF2000	FF2000
Mount Dim. (mm)	129 x 19.5	129 x 19.5
Piston sizes (mm)	44	41
Piston area per side (mm ²)	1520.5	1320.3
Max disc dia (mm)	255	255
Max disc thickness (mm)	10	10
Min disc thickness (mm)	8	8
Max pad thickness (mm)	14	14
Fluid capacity (cm ³)	21.3	18.5
Max operating pressure	103bar/1500psi	103bar/1500psi
Pad shape	7832 - 7929	7832 - 7929
Pad area per side (cm ²)	26	26
Caliper weight	1.61kg/3.5lbs	1.61kg/3.5lbs

Handing	Caliper Part #	Caliper Part #
Leading Left	55.255.440.000.01	55.255.410.000.01
Leading Right	55.255.440.000.02	55.255.410.000.02
Trailing Left	55.255.440.000.11	55.255.410.000.11
Trailing Right	55.255.440.000.12	55.255.410.000.12



CALIPER SPECIFICATIONS

ZR56 Series Caliper
Monobloc - 6 Piston - 2 Pad

ZR56

Common Application: Z-Rated Street

Application	Z-Rated Street	Z-Rated Street
Mount dim. (mm)	285 x 37	285 x 37
Piston sizes (mm)	36.5/41.0/44.0	41.0/41.0/44.0
Piston area per side (mm ²)	3887.13	4361.316
Max disc dia. (mm)	405	405
Max disc thickness (mm)	36	36
Min. disc thickness (mm)	23	23
Max pad thickness (mm)	23.5	23.5
Fluid Capacity (cm ³)	99.12	111.21
Max operating pressure	103 bar / 1500 psi	103 bar / 1500 psi
Pad shape	7956	7956
Pad area per side (cm ²)	96.64	96.64
Caliper weight	11.75 lbs	11.62 lbs

Handing	Caliper Part #	Caliper Part #
Leading Left	56.405.365.440.01	56.405.410.440.01
Leading Right	56.405.365.440.02	56.405.410.440.02
Trailing Left	56.405.365.440.11	56.405.410.440.11
Trailing Right	56.405.365.440.12	56.405.410.440.12

56.405.365.440.01				
Motor OD (mm)	Pad Shape	Eff. Radius (mm)	W Dim (mm)	Fl. Dim (mm)
405.0	7956	170.75	121.4	81.1

Stud Diameter
Min Location: 11.928
Max O: 12.025

See Pad comparison chart for thickness options and compound availability

CALIPER SPECIFICATIONS

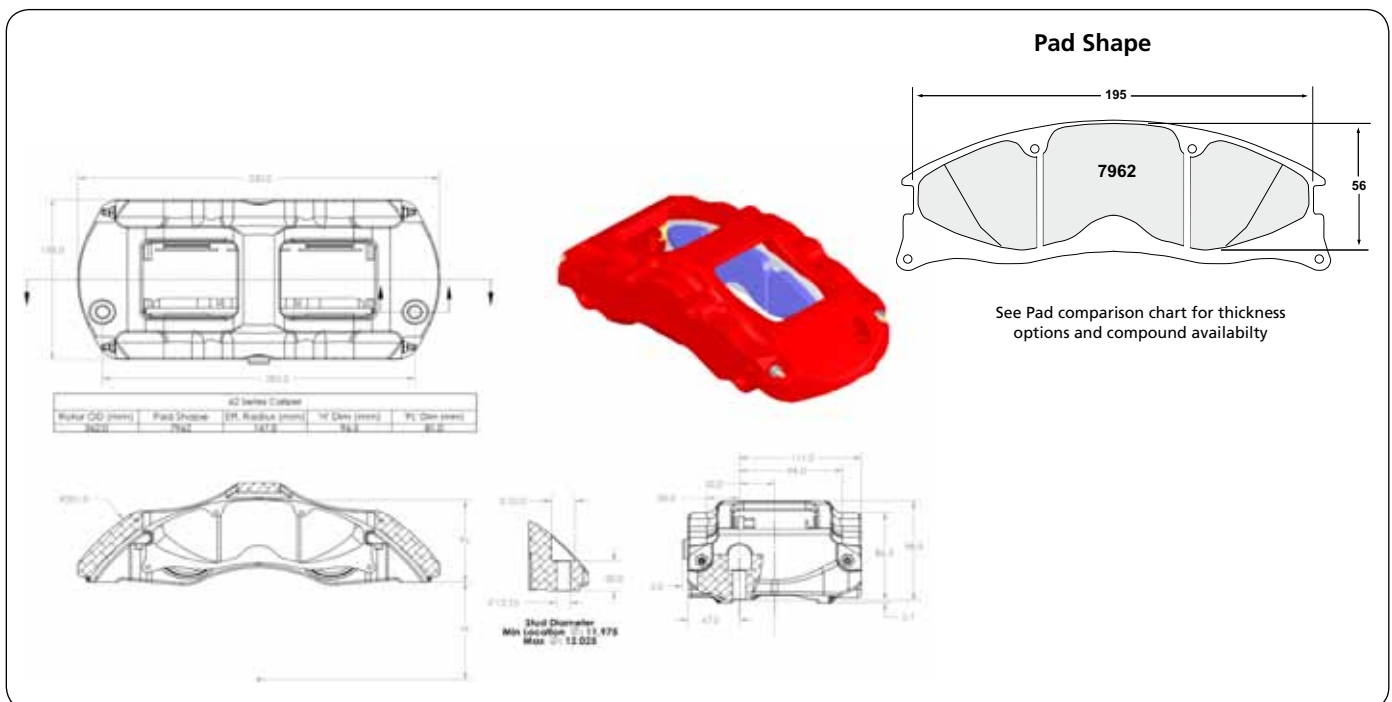
ZR62 Series Caliper
Monobloc - 6 Piston - 2 Pad

ZR62

Common Application: Z-Rated Street

Application	Z-Rated Street Front	Z-Rated Street Front
Mount dim. (mm)	285 x 32	285 x 32
Piston sizes (mm)	36.5/41.0/44.0	44.0/44.0/44.0
Piston area per side (mm ²)	3887.1	4561.6
Max disc dia. (mm)	362	362
Max disc thickness (mm)	35	35
Min. disc thickness (mm)	28	28
Max pad thickness (mm)	15	15
Fluid Capacity (cm ³)	77.7	91.2
Max operating pressure	103 bar / 1500 psi	103 bar / 1500 psi
Pad shape	7962	7962
Pad area per side (cm ²)	84.65	84.65
Caliper weight	4.7kg/10.29lbs	4.7kg/10.29lbs

Handing	Caliper Part #	Caliper Part #
Leading Left	62.362.365.440.01	62.362.440.440.01
Leading Right	62.362.365.440.02	62.362.440.440.02
Trailing Left	62.362.365.440.11	62.362.440.440.11
Trailing Right	62.362.365.440.12	62.362.440.440.12



CALIPER SPECIFICATIONS

ZR77 Series Caliper
Monobloc - 4 Piston

ZR77

Common Application: GT Rear

Application	GT Rear
Mount dim. (mm)	180 x 42
Piston sizes (mm)	29.0/36.5
Piston area per side (mm ²)	1706.87
Max disc dia. (mm)	380
Max disc thickness (mm)	32
Min disc thickness (mm)	30
Max pad thickness (mm)	29.95
Fluid capacity (cm ³)	108.3
Max operating pressure	103bar/1500psi
Pad shape	7977
Pad area per side (cm ²)	65.00
Caliper weight	2.36kg/5.21lb

Handing	Caliper Part #
Leading Left	
Leading Right	
Trailing Left	77.380.290.365.11
Trailing Right	77.380.290.365.12

Pad Shape

Rotor OD (mm)	Swapt (mm)	Pad Shape	Eff. Radius (mm)	H' Dim (mm)	PL' Dim (mm)
380.0	56.0	7977	162.5	126.0	64.0
355.0	56.0	7977	150.0	113.5	64.0

Stud Diameter
 Min Locating Ø: 11.975mm
 Max Ø: 12.025mm

See Pad comparison chart for thickness options and compound availability

CALIPER SPECIFICATIONS
ZR78 Series Caliper
Monobloc - 6 Piston
ZR78

Common Application: GT Front

Application	GT Front
Mount dim. (mm)	210 x 42
Piston sizes (mm)	29.0/32.0/36.5
Piston area per side (mm ²)	2511.11
Max disc dia. (mm)	380
Max disc thickness (mm)	34
Min disc thickness (mm)	32
Max pad thickness (mm)	29.95
Fluid capacity (cm ³)	157.6
Max operating pressure	103bar/1500psi
Pad shape	7978
Pad area per side (cm ²)	86.83
Caliper weight	2.98kg/6.54lb

Handing	Caliper Part #
Leading Left	
Leading Right	
Trailing Left	78.380.290.365.11
Trailing Right	78.380.290.365.12

Technical drawings of the ZR78 Series Caliper showing dimensions and details:

- Top view dimensions: 210.0 (width), 219.8 (height), 42.0 (height), 281.4 (width).
- Side view dimensions: 142.9 (width), 76.9 (width), 81.7 (width), 56.6 (height), 79.5 (height), 42.0 (width).
- Detail view dimensions: $\phi 25.0$, $\phi 12.15$, 44.0.
- Another detail view shows R209.0, 'PL', and 'H'.

Rotor ϕ D (mm)	Sweep (mm)	Pad Shape	Eff. Radius (mm)	'H' Dim (mm)	'PL' Dim (mm)
380.0	61.0	7978	160.0	124.5	63.5

Steel Dimension
Min. Locating ϕ : 11.975mm
Max. ϕ : 12.025mm

See Pad comparison chart for thickness options and compound availability

CALIPER SPECIFICATIONS

**ZR87 Series Caliper
Monobloc - 6 Piston**

ZR87

Common Application: Street Front

Application	Street Front	Street Front
Mount dim. (mm)	210 x 42	210 x 42
Piston sizes (mm)	29.0/32.0/36.5	25.5/29.0/32.0
Piston area per side (mm ²)	2511.11	1975.47
Max disc dia. (mm)	380	380
Max disc thickness (mm)	32	32
Min disc thickness (mm)	30	30
Max pad thickness (mm)	18	18
Fluid capacity (cm ³)	108.1	85.1
Max operating pressure	103bar/1500psi	103bar/1500psi
Pad shape	7987	7987
Pad area per side (cm ²)	82.68	82.68
Caliper weight	3.22kg/7.09lb	3.23kg/7.11lb

Handing	Caliper Part #	Caliper Part #
Leading Left	87.380.290.365.01	87.380.255.320.01
Leading Right	87.380.290.365.02	87.380.255.320.02
Trailing Left	87.380.290.365.11	87.380.255.320.11
Trailing Right	87.380.290.365.12	87.380.255.320.12

Rotor OD (mm)	Sweep (mm)	Pad Shape	EP ¹ Radius (mm)	W Dim (mm)	PL Dim (mm)
340.0	55.0	7987	142.5	123.0	47.0
355.0	55.0	7987	150.0	110.5	47.0

See Pad comparison chart for thickness options and compound availability

CALIPER SPECIFICATIONS
ZR88 Series Caliper
Monobloc - 4 Piston
ZR88

Common Application: Street Front / Rear

Application	Front/Rear	Front/Rear	Front/Rear	Front/Rear	Front/Rear
Mount dim. (mm)	180 x 42	180 x 42	180 x 42	180 x 42	180 x 42
Piston sizes (mm)	41.0/44.0	36.5/41.0	32.0/36.5	29.0/32.0	25.5/29.0
Piston area per side (mm ²)	2840.8	2366.60	1850.59	1464.77	1171.23
Max disc dia. (mm)	355	355	355	355	355
Max disc thickness (mm)	32	32	32	32	32
Min disc thickness (mm)	28	28	28	28	28
Max pad thickness (mm)	18	18	18	18	18
Fluid capacity (cm ³)	110.8	92.4	72.2	57.2	45.8
Max operating pressure	103bar/1500psi	103bar/1500psi	103bar/1500psi	103bar/1500psi	103bar/1500psi
Pad shape	7988	7988	7988	7988	7988
Pad area per side (cm ²)	74.37	74.37	74.37	74.37	74.37
Caliper weight	2.84kg/6.27lb	2.84kg/6.27lb	2.83kg/6.25lb	2.83kg/6.25lb	2.82kg/6.22lb

Handing	Caliper Part #	Caliper Part #	Caliper Part #	Caliper Part #	Caliper Part #
Leading Left	88.355.410.440.01	88.355.365.410.01	88.355.320.365.01	88.355.290.320.01	88.355.255.290.01
Leading Right	88.355.410.440.02	88.355.365.410.02	88.355.320.365.02	88.355.290.320.02	88.355.255.290.02
Trailing Left	88.355.410.440.11	88.355.365.410.11	88.355.320.365.11	88.355.290.320.11	88.355.255.290.11
Trailing Right	88.355.410.440.12	88.355.365.410.12	88.355.320.365.12	88.355.290.320.12	88.355.255.290.12

Pad Shape

See Pad comparison chart for thickness options and compound availability

Rotor OD (mm)	Sweep (mm)	Pad Shape	SP. Radius (mm)	"H" Dim (mm)	"PL" Dim (mm)
395.0	95.0	7988	130.0	115.0	62.5
330.0	55.0	7990	137.5	102.5	62.5

Shell Diameter
Min Locating Ø: 9.975mm
Max Ø: 10.025mm

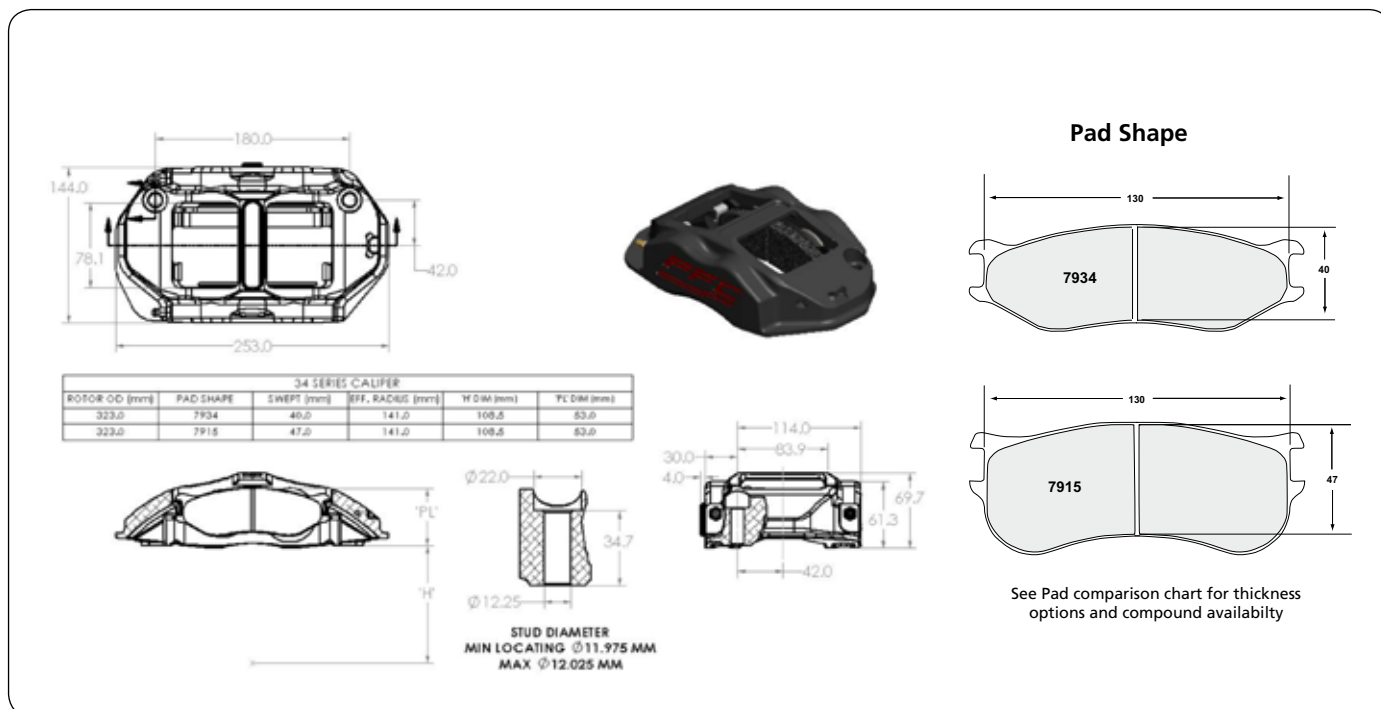
CALIPER SPECIFICATIONS
ZR94 Series Caliper
Monobloc - 4 Piston - 2 Pad

ZR94

Common Application: Various

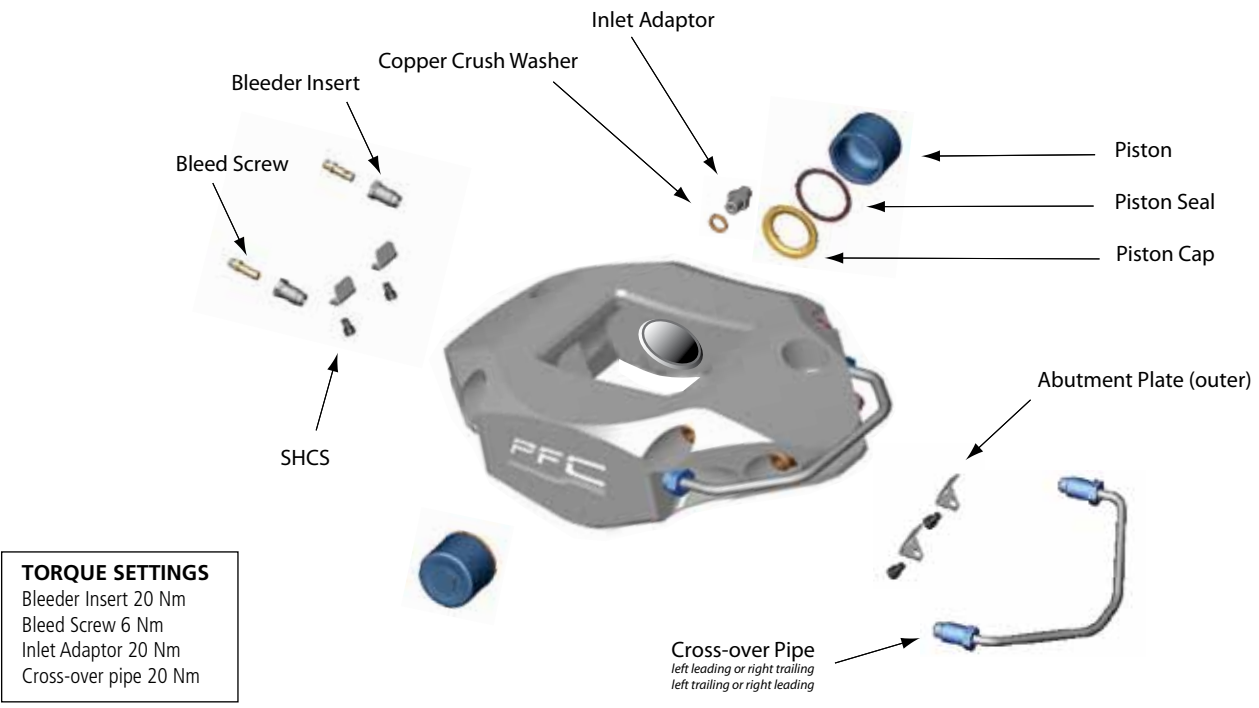
Application	Various	Various	Various
Mount Dim. (mm)	180 x 42mm	180 x 42mm	180 x 42mm
Piston sizes (mm)	25.5 / 29.0	29.0 / 36.5	41.0 / 44.0
Piston area per side (mm ²)	1171	1707	2841
Max disc dia (mm)	330	330	330
Max disc thickness (mm)	32	32	32
Min disc thickness (mm)	30	30	30
Max pad thickness (mm)	19	19	19
Fluid capacity (cm ³)	22.2	32.4	54.0
Max operating pressure	103bar / 1500psi	103bar / 1500psi	103bar / 1500psi
Pad Shape	7934 / 7915	7934 / 7915	7934 / 7915
Pad area per side (cm ²)	45 / 58	45 / 58	45 / 58
Caliper weight	2.07kg / 4.55lbs	2.06kg / 4.53lbs	2.05kg / 4.51lbs

Handing	Caliper Part #	Caliper Part #	Caliper Part #
Leading Left	94.323.255.290.01	94.323.290.365.01	94.323.410.440.01
Leading Right	94.323.255.290.02	94.323.290.365.02	94.323.410.440.02
Trailing Left	94.323.255.290.11	94.323.290.365.11	94.323.410.440.11
Trailing Right	94.323.255.290.12	94.323.290.365.12	94.323.410.440.12

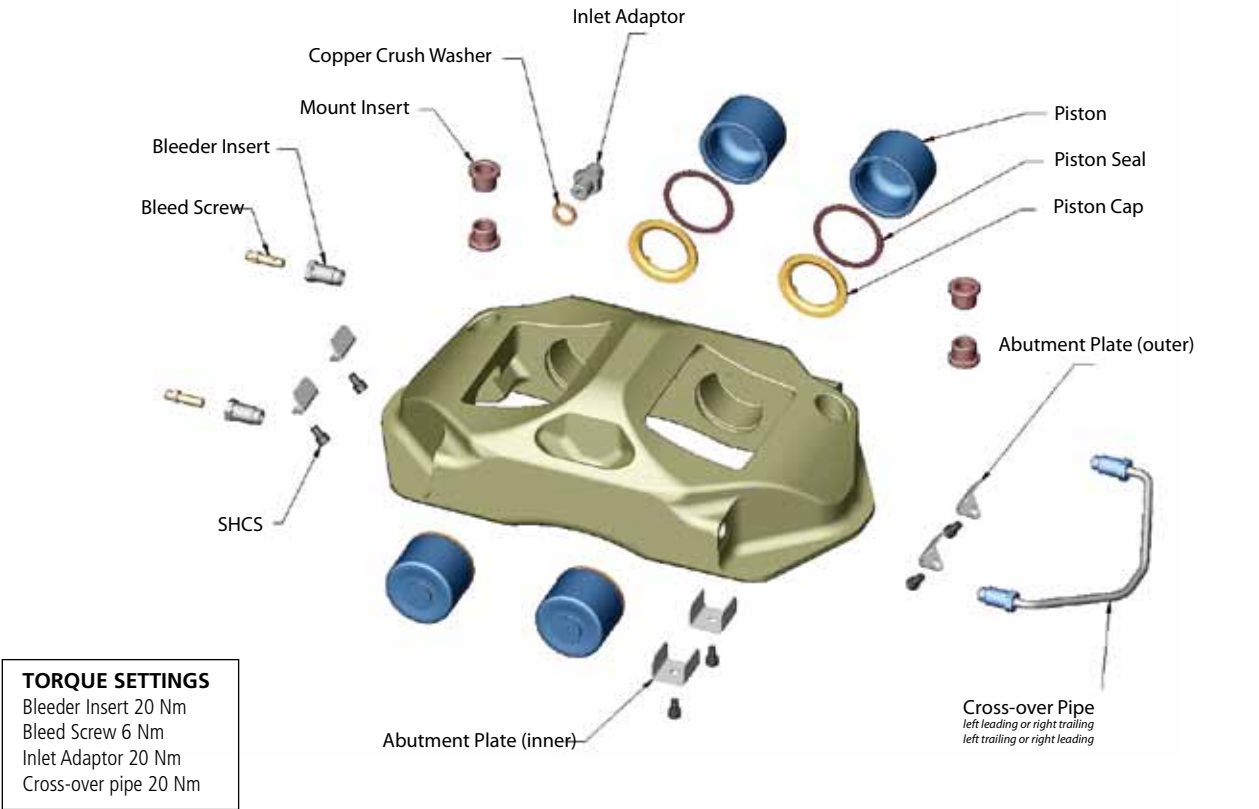


CALIPER SPARES

TYPICAL 2 PISTON CALIPER LAYOUT

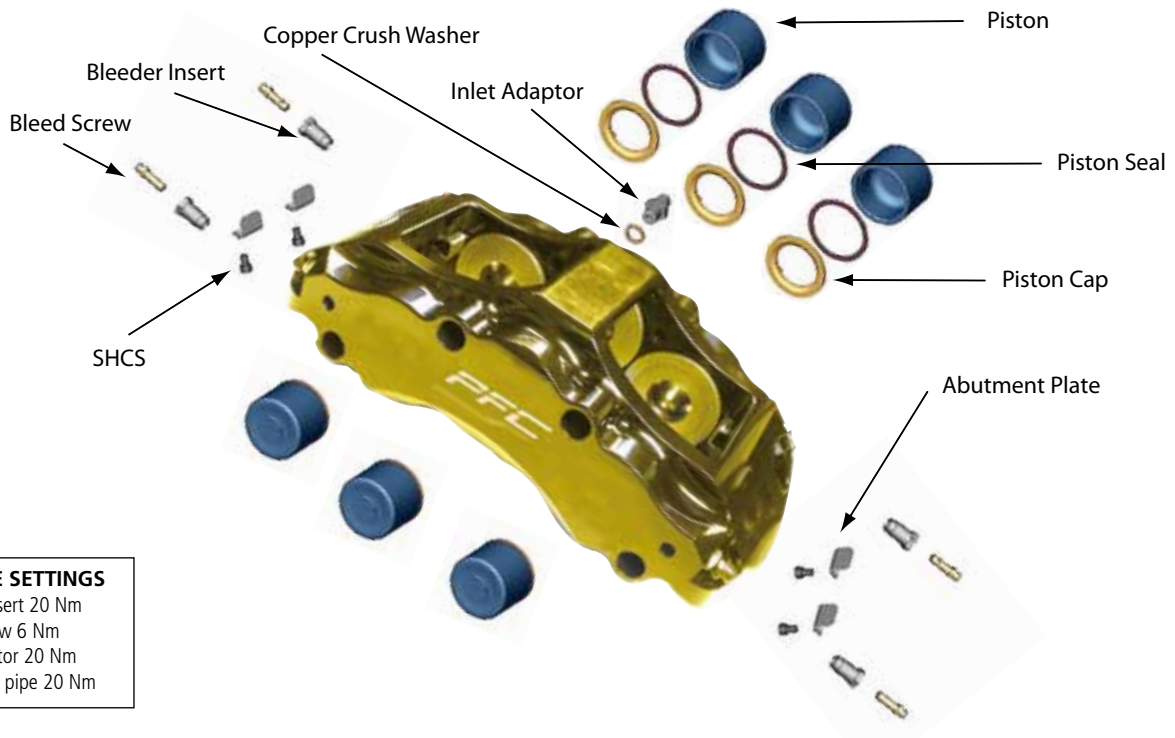


TYPICAL 4 PISTON CALIPER LAYOUT



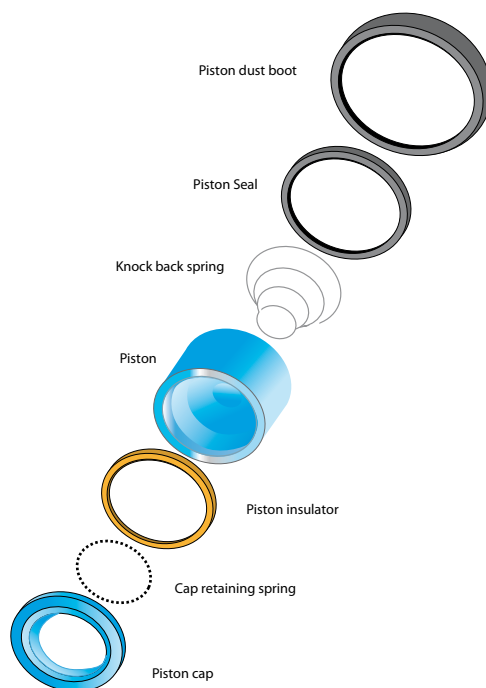
CALIPER SPARES

TYPICAL 6 PISTON CALIPER LAYOUT



TORQUE SETTINGS
 Bleeder Insert 20 Nm
 Bleed Screw 6 Nm
 Inlet Adaptor 20 Nm
 Cross-over pipe 20 Nm

PISTON COMPONENTS (FULL) CALIPERS MAY VARY





NO COMPROMISES™



Performance Friction Europe

Carbon Metallic House, Wildmere Road, Banbury, Oxon OX16 3LU United Kingdom
Tel: +44(0)1295 221020 Fax: +44(0)1295 279711
uksales@pfcbrakes.com www.pfcbrakes.eu